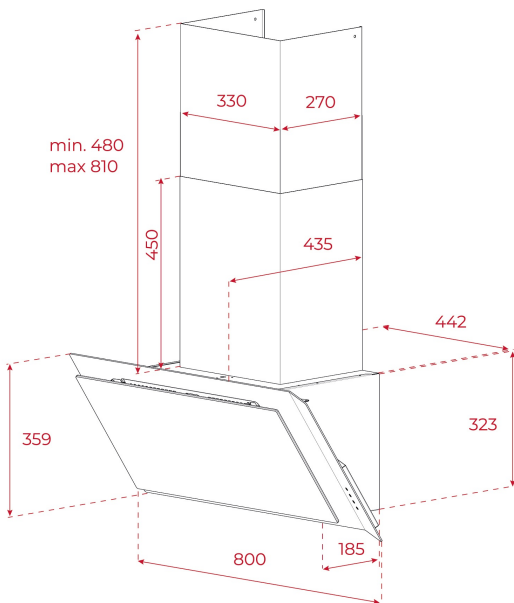




Fresh AIR



LED

Perimeter  
extractionStop Delay  
Timer

## REFERENCE

REF: 112930056

EAN: 8434778022018

## FEATURES

Infinity G1 special edition  
 Designed in Italy by Italdesign Giugiaro  
 Decorative vertical hood  
 Exclusive matte black finishing  
 Push buttons control  
 FreshAir function  
 Rim extraction  
 Brushless EcoPower Motor  
 3 speeds + 1 intensive  
 Free Outlet exhaust capacity (m3/h): 786  
 Max speed exhaust capacity (m3/h): 800  
 2 LED lamps  
 1 aluminium filters with 3 layers  
 Stop delay timer  
 Filter saturation indicator  
 Anti-return valve included  
 Outlet reduction included  
 Optional recirculation kit with tube cover installation: CFH 15200 L3C  
 Optional regenerative recirculation kit with tube cover installation: RFH 15200 L3C  
 Optional recirculation kit without tube cover installation: CFH 15200 O2C  
 Optional regenerative recirculation kit without tube cover installation: RFH 15200 O2C  
 Optional Charcoal Filter: 113290015  
 Optional Regenerative filter: R1RTK

## DIMENSIONS

**Product height (mm):** 810-1140**Product width (mm):** 800**Product depth (mm):** 409**Product length (mm):****Net weight (Kg):** 17,5

## TECHNICAL DETAILS

Energy Efficiency Class: A+

Noise (LwA) Min Speed (dB): 47,4

Noise (LwA) Max Speed (dB): 60

Noise (LwA) Boost Speed (dB): 71,1

Ø Outlet (mm): 150

## COLOURS



112930056

Black Matt