



## REFERENCE

REF: 116030004

EAN: 8434778002973

## FEATURES

High spout kitchen tap  
 Swivel Spout  
 Anti-scale aerator  
 Cartridge with ceramic discs of high resistance  
 Highly precise temperature control  
 Greater handling sensitivity with smoother movements  
 Surface resistant to daily use  
 3/8" - 1/2" flexible inlet pipes

## DIMENSIONS

**Product height (mm):** 313

**Product width (mm):**

**Product depth (mm):**

**Product length (mm):**

**Net weight (Kg):** 1,65



Anti-Scale  
Aerator



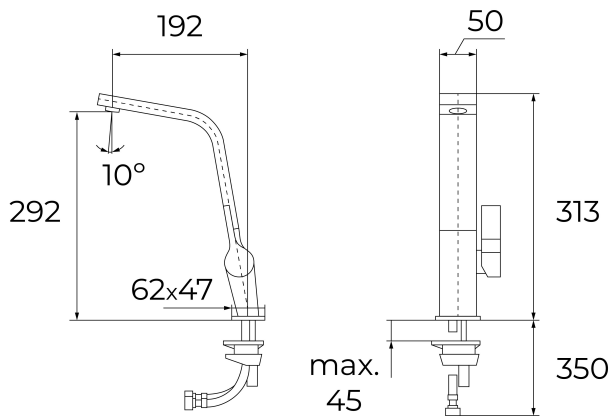
Fingerprint-  
Proof



Swivel\_Spout



PVD



## COLOURS



116030004

Chrome



116030007

Brass



116030007

Titanium



116030007

Copper