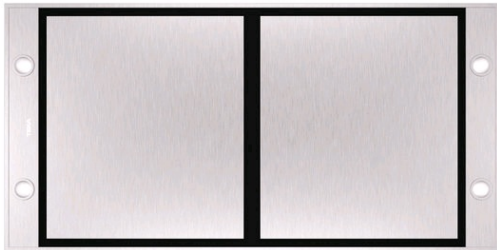




DHT 1285 ISLAND 120cm Ceiling Hood with Contour Rim extraction system and ECOPOWER motor



LED



Perimeter extraction



Remote Control



Stop Delay Timer

DESCRIPTION

120cm Ceiling Hood with Contour Rim extraction system and ECOPOWER motor

LIFE STYLE

Maestro

COLOURS

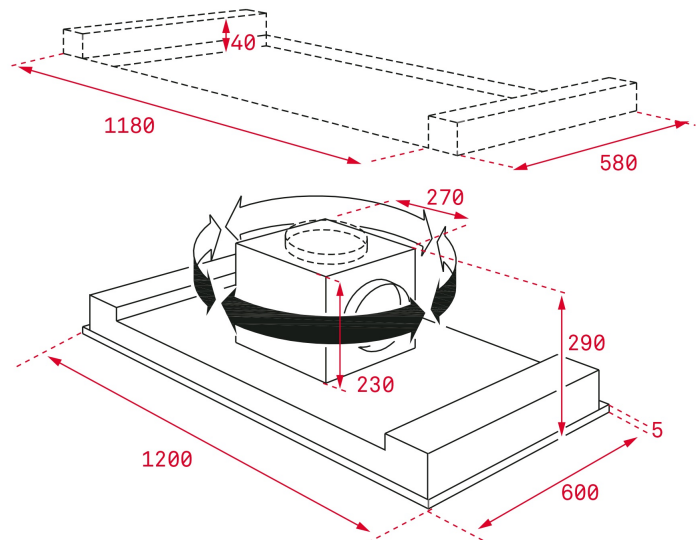


REFERENCE

REF. 40484180
EAN. 8421152145890

FEATURES

Ceiling hood
Rim extraction
EcoPower motor
Energy Efficiency class: A
Remote control panel
Operating pilot light
6 speeds+ 4 intensive
Exhaust capacities:
Free Outlet, m³/h: 920
Qboost, m³/h: 807
Max., m³/h: 631
Min., m³/h: 315
Noise (LwA) Boost Speed, dB: 66
Noise (LwA) Max Speed, dB: 60
Noise (LwA) Min Speed, dB: 47
4 LED lamps
1 aluminium filter
Stop delay timer
Filer saturation indicator



DIMENSIONS

Product height (mm): 305
Product width (mm): 1200
Product depth (mm): 600
Product length (mm):
Net weight (Kg): 27,9

TECH SPECS

PARTICULAR CHARACTERISTICS

Type of hood: Island
Style: Decoratives
Certificates: CE; CB; Rohs
Ø Outlet (mm): 150
Type of inner light: LED
Inside light Consumption (W): 3
Power rate (V): 220240
Frequency (Hz): 50
Total hood power (W): 292
Number of motors: 1
Motor power (W): 280
Exhaust Capacity - Free Outlet (m3/h): 920

**EU REGULATION NO. 65/2014
&66/2104**

Annual energy consumption AEC kWh/annum (kWh): 46,7
Energy Efficiency Class: A
Fluid Dynamic Efficiency (FDEhood): 32,1
Fluid Dynamic Efficiency class: A
Light Efficiency (Lehood) lux/Watt: 58,3
Lighting Efficiency class: A
Grease Filtering Efficiency class: B

Air flow (Qmin) m3/h: 315
Air flow (Qmax): 631
Air flow (Qboost): 807
Noise (LwA) Min Speed (dB): 47
Noise (LwA) Max Speed (dB): 60
Noise (LwA) boost speed (dB): 66
Off mode Power (Po) W: 0,00
Standby Power (Ps) W: 0,98
Energy Efficiency Index (EEI): 49,9
Time increase factor: 0,8
Electric power input at best efficiency point (Wbep) W: 130,1
Nominal power of the lighting system (WL) W: 12
Average illumination of the lighting system on the cooking surface (Emiddle) Lux: 700

ACCESSORIES

Anti Return valve: Yes
Outlet reduction: Yes
Optional Charcoal Filter: NO (Küppersbusch has)

MODELS

Number of filters: 4
Filter description: Aluminum
Control panel: Remote control
Remote control: Yes
Stop delay timer: Yes
Filter saturation indicator: Yes

PRODUCT INFORMATION SHEET - DELEGATED REGULATION (EU) 65/2014

Supplier name or trademark: TEKA
Model identifier: DHT 1285 ISLAND
Annual Energy Consumption: 46,7
Energy Efficiency Class: A
Fluid Dynamic Efficiency: 32,1
Fluid Dynamic Efficiency class: A
Lighting Efficiency: 58,3
Lighting Efficiency class: A
Grease Filtering Efficiency:
Grease Filtering Efficiency class: B
Air flow (min speed normal use): 315
Air flow (max speed normal use): 631
Air flow (intensive or boost use): 807
Airborne acoustical A-weighted sound power emissions (min speed normal use): 47
Airborne acoustical A-weighted sound power emissions (max speed normal use): 60
Airborne acoustical A-weighted sound power emissions (intensive or boost use): 66
Power consumption in off mode (W): 0,00
Power consumption in standby mode (W): 0,98



DHT 1285 ISLAND

ENERGY LABEL

