



MS 622 BIS L Built-in Microwave with ceramic base + Grill



Electronic Door
Opening



Ceramic base



Direct Access
Menu



Defrost By
Time



Defrost By
Weight



22L

DESCRIPTION

Built-in Microwave with ceramic base + Grill

LIFE STYLE

Total

COLOURS

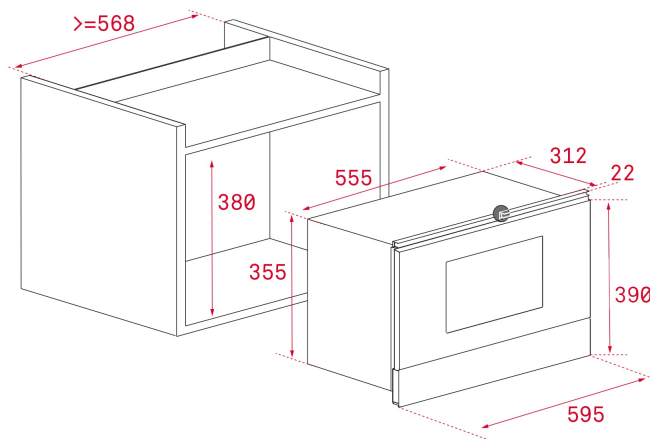


REFERENCE

REF. 40584100
EAN. 8421152145524

FEATURES

Microwave + Grill
Ceramic base
Capacity: 22 litres
Touch Control panel with LED display
Electronic door opening
5 power levels, 850 W
2 direct access menus
3 cooking functions
Quick start + 30
Drop down grill, 1200 W
0-90 min. Timer
Automatic defrosting by time and weight
Children safety block
Double glazed door
Stainless steel inner cavity
Tangential ventilation
Left door opening
Reinforced grid



DIMENSIONS

Product height (mm): 390

Product width (mm): 595

Product depth (mm): 334

Product length (mm):

Net weight (Kg): 22

TECH SPECS

PARTICULAR CHARACTERISTICS

Certificates: CE/CB

Number of cavities: 1

Type of inner light: INCANDESCENT

Inside light position: RIGHT

Number of cooking functions: 3

Grill function: Yes

Drop-down grill: Yes

Number of guide levels (lower cavity): 0

Forced refrigeration tangential 1 speed: Yes

Microwave function: Yes

Number of power levels: 5

Minute Quick Start: Yes

Seconds Quick Start: Yes

Tangential ventilation: Yes

ELECTRIC CONNECTION

Maximum Nominal Power (W): 2500

Frequency (Hz): 50

Power rate (V): 220-240

Cable Connection Length (cm): 110

Plug: Yes

ENERGY CONSUMPTION

Inside light Consumption (W): 20

Energy consumption per cycle in conventional mode (kWh):

0.36

Grill (W): 1200

Maxi Grill (W): 1200

Cooling Fan Motor (W): 18

SECURITY SYSTEM

Automatic disconnection when opening the door: Yes

Panel blocking system: Yes

Children safety block option: Yes

Grill protection: Yes

Safety Thermostat: Yes

ACCESSORIES

Glass Tray: 0

ENERGY EFFICIENCY

Energy Efficiency Index (EEI): A

