



ML 820 BIS Built-in Microwave + Grill with Touch Control



18 L



Direct Access
Menu



Defrost By
Time



Defrost By
Weight

DESCRIPTION

Built-in Microwave + Grill with Touch Control

LIFE STYLE

Maestro

COLOURS



REFERENCE

REF. 40584200
EAN. 8421152145555

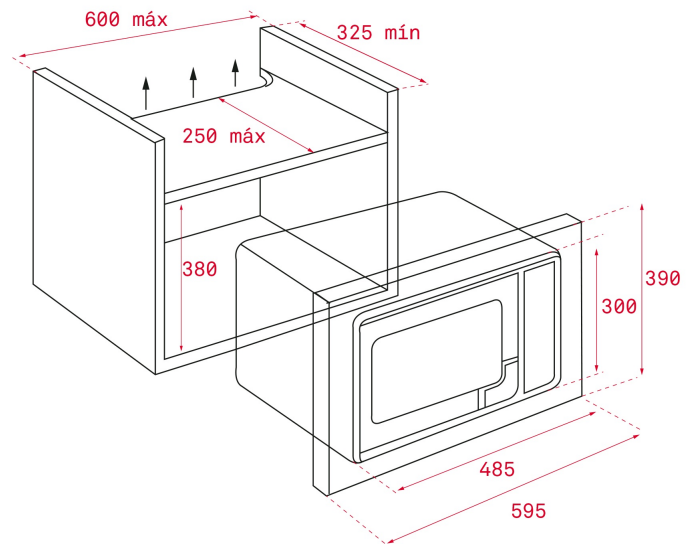


TEKA

ML 820 BIS

FEATURES

Microwave + Grill
Capacity: 20 litres
Touch Control panel with TFT white display
5 power levels, 700 W
3 direct access menus
Quick start + 30
Automatic defrosting by time and weight
Children safety block
Double glazed door
Quartz Grill, 1000 W
1 Round grid



DIMENSIONS

Product height (mm): 390
Product width (mm): 595
Product depth (mm): 325
Product length (mm):
Net weight (Kg): 18,6

TECH SPECS

PARTICULAR CHARACTERISTICS

Certificates: CE/CB
Number of cavities: 1
Number of cooking functions: 3
Number of memories: 1
Grill function: Yes
Number of guide levels (lower cavity): 0
Microwave function: Yes
Number of power levels: 5
Minute Quick Start: Yes
Seconds Quick Start: Yes

ELECTRIC CONNECTION

Maximum Nominal Power (W): 1200
Frequency (Hz): 50
Power rate (V): 220 - 240
Cable Connection Length (cm): 110
Plug: Yes

ENERGY CONSUMPTION

Grill (W): 1000
Maxi Grill (W): 1000

SECURITY SYSTEM

Automatic disconnection when opening the door: Yes

Panel blocking system: Yes

Children safety block option: Yes

Safety Thermostat: Yes

ACCESSORIES

Glass Tray: 0

