



DPL 1185 ISLAND 110cm Island Hood with EcoPower motor



LED



Perimeter extraction



Stop Delay Timer

DESCRIPTION

110cm Island Hood with EcoPower motor

LIFE STYLE

Maestro

COLOURS

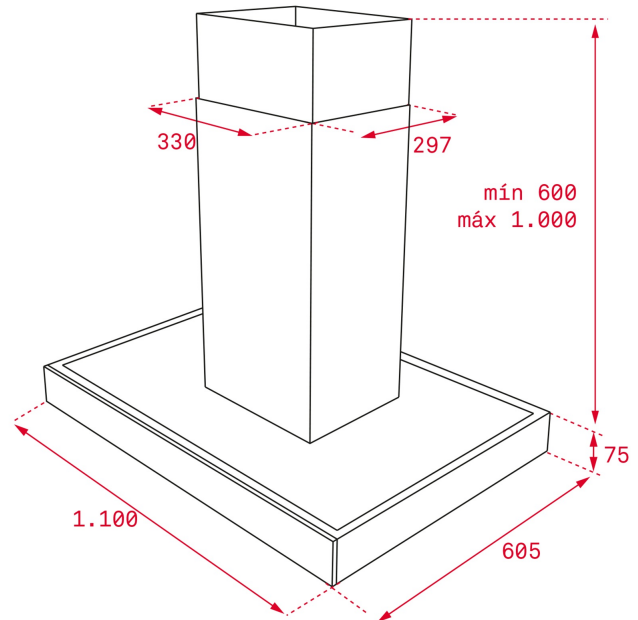


REFERENCE

REF. 40483173
EAN. 8421152145784

FEATURES

Island hood
Rim extraction
EcoPower motor
Energy Efficiency class: A
3 speeds+ 1 intensive
Exhaust capacities:
Free Outlet, m³/h: 920
Qboost, m³/h: 782
Max., m³/h: 629
Min., m³/h: 331
Noise (LwA) Boost Speed, dB: 69
Noise (LwA) Max Speed, dB: 66
Noise (LwA) Min Speed, dB: 54
4 LED lamps
Inox panel
3 aluminum filters
Reinforced black glass
Stop delay timer
Filter saturation indicator



DIMENSIONS

Product height (mm): 817-1117

Product width (mm): 1100

Product depth (mm): 605

Product length (mm):

Net weight (Kg): 21,25

TECH SPECS

PARTICULAR CHARACTERISTICS

Type of hood: Horizontal

Style: Decoratives

Ø Outlet (mm): 150

Type of inner light: LED

Inside light Consumption (W): 3

Plug type: European plug

Frequency (Hz): 50

Total hood power (W): 242

Number of motors: 1

Motor power (W): 230

Exhaust Capacity - Free Outlet (m3/h): 920

**EU REGULATION NO. 65/2014
&66/2104**

Annual energy consumption AEC kWh/annum (kWh): 0,0

Fluid Dynamic Efficiency (FDEhood): 0,0

Fluid Dynamic Efficiency class: 0

Light Efficiency (Lehood) lux/Watt: 0,0

Lighting Efficiency class: 0

Grease Filtering Efficiency class: 0

Air flow (Qmin) m3/h: 0

Air flow (Qmax): 0

Air flow (Qboost): 0
Noise (LwA) Min Speed (dB): 0
Noise (LwA) Max Speed (dB): 0
Noise (LwA) boost speed (dB): 0
Off mode Power (Po) W: 0,00
Standby Power (Ps) W: 0,00
Energy Efficiency Index (EEI): 0,0
Time increase factor: 0,0
Electric power input at best efficiency point (Wbep) W: 0,0
Nominal power of the lighting system (WL) W: 0
Average illumination of the lighting system on the cooking surface (Emiddle) Lux: 0

ACCESSORIES

Anti Return valve: Yes
Outlet reduction: Yes
Optional Charcoal Filter: D4C
Charcoal filter description: CHARCOAL FILTER D4C
Conventional recirculation kit (with tube cover): 40490149

MODELS

Number of filters: 3
Filter description: inox panel; aluminum filters bellow
Control panel: Touch control
Stop delay timer: Yes
Filter saturation indicator: Yes
Number of speeds: 3 + 1

PRODUCT INFORMATION SHEET - DELEGATED REGULATION (EU) 65/2014

Supplier name or trademark: TEKA
Model identifier: DPL 1185 ISLAND
Annual Energy Consumption: 0,0
Energy Efficiency Class:
Fluid Dynamic Efficiency: 0,0
Fluid Dynamic Efficiency class: 0
Lighting Efficiency: 0,0
Lighting Efficiency class: 0
Grease Filtering Efficiency:
Grease Filtering Efficiency class: 0
Air flow (min speed normal use): 0
Air flow (max speed normal use): 0
Air flow (intensive or boost use): 0
Airborne acoustical A-weighted sound power emissions (min speed normal use): 54
Airborne acoustical A-weighted sound power emissions (max speed normal use): 66
Airborne acoustical A-weighted sound power emissions (intensive or boost use): 69
Power consumption in off mode (W): 0,00
Power consumption in standby mode (W): 0,00

