



STEAKMASTER Multifunction Pyrolytic oven with special Grill and Cast iron grid for Steaks



DESCRIPTION

Multifunction Pyrolytic oven with special Grill and Cast iron grid for Steaks

LIFE STYLE

Maestro

COLOURS



REFERENCE

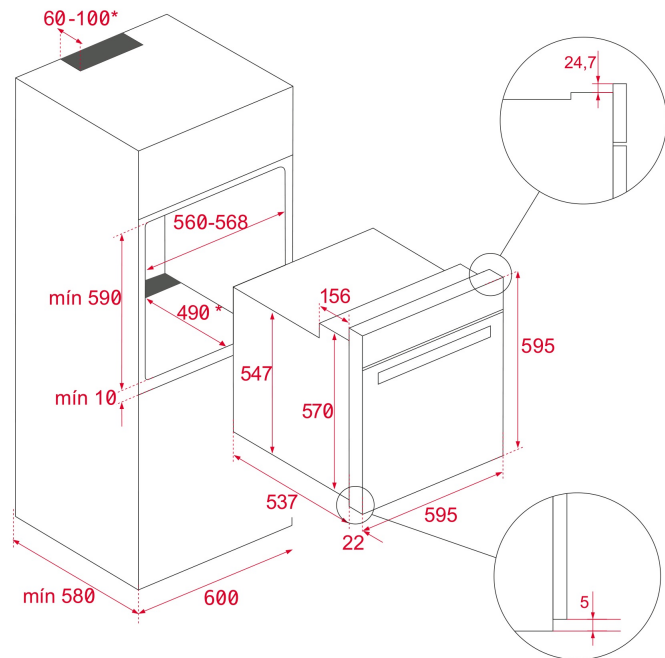
REF. 111000026
EAN. 8434778009910



STEAKMASTER

FEATURES

SteakMaster Oven
Powerfull SteakGrill (700°C)
SurroundTemp Multifunction oven - 12 cooking functions
DualClean cleaning system: Pyrolytic selfcleaning (3 levels) + HydroClean® PRO
Enamel Slippery
A+ Energy class: up to 20% less consumption
Capacity, gross/net: 71/63 litres
TFT 4" true color Touch control
LED illuminated knobs
20 automatic programs for meat
Personal cook assistant: 20 international recipes
Automatic Express preheating
SlowCook: low temperature cooking
Pizza, ferment, defrosting & ECO functions
Children safety block, timer and door
Automatic disconnection security system
4 removable glazed door
SoftClose system
Full glass inner door
Plus + Full Extension telescopic guides, 5 cooking levels
Special cast iron grid for Steaks
Anti-tip deep tray and reinforced grid
Tangential ventilation Plus with 2 speeds
Optional: The SteamBox & cast aluminium tray



DIMENSIONS

Product height (mm): 595

Product width (mm): 595

Product depth (mm): 537+22

Product length (mm):

Net weight (Kg): 45,8

TECH SPECS

PARTICULAR CHARACTERISTICS

Certificates: N / CE / CCA / CB / EAC

Number of cavities: 1

Enamelled cavity: Yes

Function selector: ELECTRONIC

Number of cooking functions: 13

Number of recipes: 20

Number of memories: 0

Grill function: Yes

MaxiGrill function: Yes

Bottom function: Yes

Turbo function: Yes

ECO function: Yes

Ferment function: Yes

Automatic quick heating: Yes

Slow Cook: Yes

Ring illuminated: Yes

Removable chromed tray guides: Yes

Number of guide levels: 5

Easy slide telescopic guides: Yes

SoftClose: Yes

ELECTRIC CONNECTION

Maximum Nominal Power (W): 3518
Frequency (Hz): 50/60
Power rate (V): 220-240
Cable Connection Length (cm): 150
Plug: Yes
Inside light Consumption (W): 2x25

ENERGY CONSUMPTION

Energy consumption per cycle in conventional mode (kWh):
1.01
Energy consumption per cycle in fan-forced convection mode (kWh): 0,77
Bottom Heating Element (W): 1050
Grill (W): 2400
Maxi Grill (W): 3450
Traditional (W): 2100
Turbo (W): 2000
Multifunction Turbo (W): 25
Turnspit motor (W): 0
Cooling Fan Motor (W): 30

SECURITY SYSTEM

Automatic disconnection when opening the door: Yes
Panel blocking system: Yes
Children safety block option: Yes
Grill protection: Yes
Anti-tip tray system: Yes
Safety Thermostat: Yes
Full glazed doors: 4

CLEANING SYSTEM

Crystal Clean Enamel (Slippery): Yes
Hydroclean PRO: Yes
Pyrolitic: Yes
DualClean: Yes

ACCESSORIES

Deep Tray (50 mm): 1
Cast iron tray: SteakTray
Steak tray: 1
Reinforced grid: 1

ENERGY EFFICIENCY

Energy Efficiency Class: A
Energy Efficiency Index (EEI): 95



STEAKMASTER

ENERGY LABEL

The energy label for the TEKA STEAKMASTER dishwasher features the following information:

- Header:** Includes the European Union flag, the word "ENERG" in large letters, and "енергия · ενεργεια" in smaller text below it. To the right are four circular icons labeled Y, IA, IE, and IA.
- Brand and Model:** The TEKA logo is on the left, and "STEAKMASTER" is written in bold on the right.
- Energy Efficiency Scale:** A vertical scale of seven colored bars representing energy classes: A+++ (dark green), A++ (medium green), A+ (light green), A (yellow), B (orange), C (red-orange), and D (red). A black arrow points to the 'A' class.
- Capacity:** A box on the left shows a dishwasher icon with "63L" written below it.
- Energy Consumption:** A box on the right shows a dishwasher icon with "1.01 kWh/cycle*" and a fan icon with "0.77 kWh/cycle*" below it.
- Footnote:** A small line of text at the bottom reads: "* Unveia · cyklus · porton · zylky · pravyrasya · dide · tsakke · chetima · cikla · cikla · cikla · cikla · cyklus · cykli · cikla · program · cikla".
- Standard:** The number "65/2014" is printed at the very bottom.