



# JZC 96342 BBB Gas on glass + Induction hob with Direct Functions and 6 cooking zones in 90cm of butane gas



Auto ignition



ExactFlame



MultiSlider



Power



Power Plus



Autolock

## DESCRIPTION

Gas on glass + Induction hob with Direct Functions and 6 cooking zones in 90cm of butane gas

## LIFE STYLE

Maestro

## COLOURS

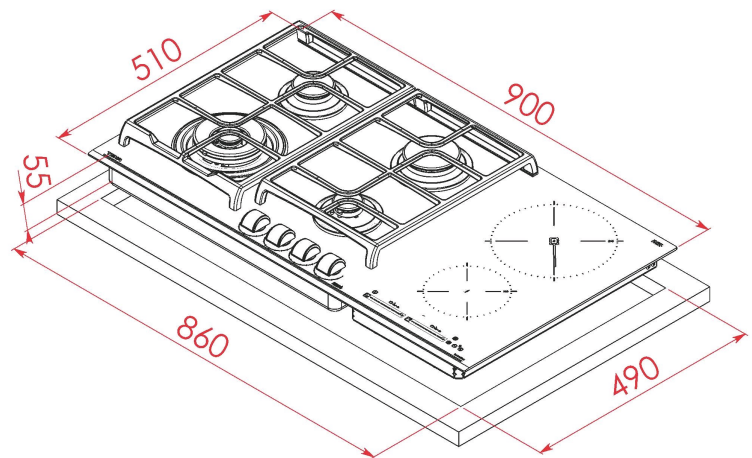


## REFERENCE

REF. 112570144  
EAN. 8434778013382

**FEATURES**

Gas on glass + Induction hob  
Touch control MultiSlider  
ExactFlame control  
Cooking timer  
6 cooking zones:  
1 induction 145 Ø (1250-1800 W)  
1 induction 180 Ø (1700 – 2100 W)  
1 gas rapid burner (2.8 kW)  
2 gas semi-rapid burner (1.75 kW)  
1 gas auxiliary burner (1.0 kW)  
9 gas power levels with precise control of the flame  
Large cast iron grids  
Automatic-ignition  
Auto-lock safety device  
Induction Power Plus function  
3 special cooking functions: Simmering, Melting and KeepWarm  
Maximum nominal power (gas): 6.95 kW  
Maximum nominal power (induction): 3500 W  
Ceramic Glass (4 mm)



## DIMENSIONS

Product height (mm): 50  
Product width (mm): 900  
Product depth (mm): 510  
Product length (mm):  
Net weight (Kg):

## TECH SPECS

### FITTING MEASURES

Built-in Width (mm): 860  
Built-in Depth (mm): 490  
Built-in Height (mm): 50

### PARTICULAR CHARACTERISTICS

Gas type: Butane  
Maximum nominal power (W) (Gas): 9550  
Auto ignition: Yes  
Number of electric power levels: 9  
Simmering: Yes  
Melting: Yes  
Keeping warm: Yes  
Power management function: Yes

### ELECTRIC CONNECTION

Frequency (Hz): 50/60  
Power rate (V): 60  
Cable Connection Length (cm): 110  
Maximum Nominal Power (W) (Electric hob): 3500

### COOKING ZONES

Cooking Zones: 6  
Energy consumption for the whole hob, Wh/Kg: 180,4  
Left rear cooking zone - Type: SEMIRAPID  
Left front cooking zone - Type: DOUBLE RING  
Center rear cooking zone - Type: RAPID

**Center front cooking zone - Type:** AUXILIARY  
**Right rear cooking zone - Diameter (mm):** 145  
**Right rear cooking zone - Type:** Single Zone  
**Right rear cooking zone - Consumption in Wh/Kg (EU 66/2014):**  
178,7  
**Right front cooking zone - Diameter (mm):** 180  
**Right front cooking zone - Type:** Single Zone  
**Right front cooking zone - Consumption in Wh/Kg (EU  
66/2014):** 182,1

## **SECURITY SYSTEM**

**Automatic safety disconnection (Auto Lock) (Gas):** Yes  
**Residual heat indicator (Electric hob):** Yes  
**Automatic safety disconnection (Auto Lock) (Electric hob):** Yes  
**Child lock:** Yes

## **FINISH**

**Surface finishing:** Front bevelled glass  
**Surface type:** Ceramic Glass (4mm)

## **ACCESSORIES**

**Grid type:** Full Grid  
**Wok support:** Optional  
**Junction Kit:** Optional  
**Cast Iron Grids:** Yes  
**Teppan Yaki:** No

