



**DLV 68660 TOS** Vertical decorative hood with Fresh air function in 60cm



Fresh AIR



LED



Perimeter extraction



Stop Delay Timer

**DESCRIPTION**

Vertical decorative hood with Fresh air function in 60cm

**LIFE STYLE**

Maestro

**COLOURS**



**REFERENCE**

REF. 112930026  
EAN. 8434778011906

**FEATURES**

Urban Colors Edition  
Vertical decorative hood  
Rim extraction system  
Touch control display  
FreshAir function  
Full glass design  
3 speeds + intensive  
Stop delay timer  
LED light bar  
Saturation filter indicator  
EcoPower motor  
Exhausts capacity: min.232 m<sup>3</sup>/h – max.725 m<sup>3</sup>/h  
Sound level: min.49 dB – max.65 dB  
Recirculation function with or without tube cover  
Optional regenerative charcoal filters  
Installation also possible without tube cover

## DIMENSIONS

**Product height (mm):**

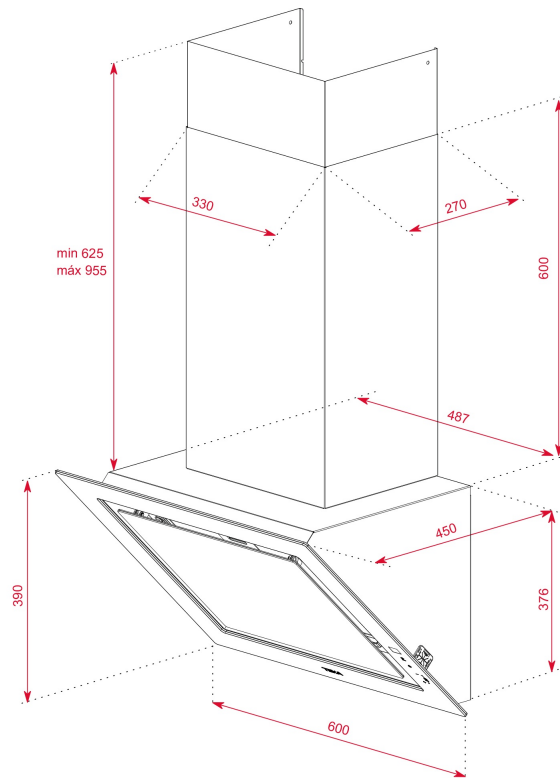
10011331

**Product width (mm):** 600

**Product depth (mm):** 450

**Product length (mm):**

**Net weight (Kg):** 12,8



## TECH SPECS

### PARTICULAR CHARACTERISTICS

**Type of hood:** Vertical

**Style:** Decoratives

**Ø Outlet (mm):** 150

**Removable oil collector:** Yes

**Type of inner light:** LED BAR

**Inside light Consumption (W):** 7,5

**Plug type:** Schuko plug

**Cable Connection Length (cm):** 100

**Power rate (V):** 220240

**Frequency (Hz):** 50/60

**Total hood power (W):** 272,5

**Number of motors:** 1

**Motor power (W):** 265

**EU REGULATION NO. 65/2014  
&66/2104**

**Annual energy consumption AEC kWh/annum (kWh):** 42,4

**Energy Efficiency Class:** A+

**Fluid Dynamic Efficiency (FDEhood):** 36,5

**Fluid Dynamic Efficiency class:** A

**Light Efficiency (Lehood) lux/Watt:** 52

**Lighting Efficiency class:** A

**Grease Filtering Efficiency class:** C  
**Air flow (Qmin) m3/h:** 232  
**Air flow (Qmax):** 410  
**Air flow (Qboost):** 725  
**Noise (LwA) Min Speed (dB):** 49  
**Noise (LwA) Max Speed (dB):** 65  
**Noise (LwA) boost speed (dB):** 71  
**Off mode Power (Po) W:** 0,32  
**Energy Efficiency Index (EEI):** 42,9  
**Time increase factor:** 0,7  
**Electric power input at best efficiency point (Wbep) W:** 145  
**Nominal power of the lighting system (WL) W:** 6,7  
**Average illumination of the lighting system on the cooking surface (Emiddle) Lux:** 351

## ACCESSORIES

**Anti Return valve:** Yes  
**Outlet reduction:** Yes  
**Optional Charcoal Filter:** C1RTK  
**Charcoal filter description:** Conventional charcoal filter  
**Conventional recirculation kit (with tube cover):** 113290018  
**Regenerative recirculation kit (with tube cover):** 113290010  
**Conventional recirculation kit (without tube cover):** 113290016  
**Regenerative recirculation kit (without tube cover):** 113290012

## MODELS

**Number of filters:** 1  
**Filter description:** Aluminum filters  
**Opening system:** Piston  
**Control panel:** Touch control white display  
**Stop delay timer:** Yes  
**Filter saturation indicator:** Yes  
**Time clock:** Yes  
**Number of speeds:** 3 + 1  
**Fresh air function:** Yes

## PRODUCT INFORMATION SHEET - DELEGATED REGULATION (EU) 65/2014

**Supplier name or trademark:** TEKA  
**Model identifier:** DLV 68660 TOS  
**Annual Energy Consumption:** 42,4  
**Energy Efficiency Class:** A+  
**Fluid Dynamic Efficiency:** 36,5  
**Fluid Dynamic Efficiency class:** A  
**Lighting Efficiency:** 52  
**Lighting Efficiency class:** A  
**Grease Filtering Efficiency:**  
**Grease Filtering Efficiency class:** C  
**Air flow (min speed normal use):** 232  
**Air flow (max speed normal use):** 410  
**Air flow (intensive or boost use):** 725  
**Airborne acoustical A-weighted sound power emissions (min speed normal use):** 49.4  
**Airborne acoustical A-weighted sound power emissions (max speed normal use):** 64.6  
**Airborne acoustical A-weighted sound power emissions (intensive or boost use):** 70.9  
**Power consumption in off mode (W):** 0,32  
**Power consumption in standby mode (W):**



DLV 68660 TOS

ENERGY LABEL

The image shows a standard European Energy Label for a TEKA DLV 68660 TOS. The label is rectangular with a blue border and contains the following information:

- Header:** The European Union flag, the word "ENERG" in large letters, and "енергия · енергiя" in smaller letters below it. To the right are four small circular icons containing the letters Y, UA, IE, and IA.
- Brand and Model:** "TEKA" on the left and "DLV 68660" on the right.
- Energy Efficiency Scale:** A vertical bar on the left side shows seven energy efficiency classes from A+++ (top, dark green) to D (bottom, red). A black arrow points to the A+ class.
- Annual Energy Consumption:** A box on the right contains the number "42" and "kWh/annum" below it.
- Performance Indicators:** Four icons in a row: a fan (representing fan power), a lightbulb (representing lighting power), water droplets (representing water consumption), and a speaker (representing sound power). Each icon has a corresponding scale below it labeled "A B C D E F G", "A B C D E F G", "A B C D E F G", and "65 dB" respectively.
- Footer:** "65/2014" on the left and "1130560" on the right.