



# LSI4 1470 Washer dryer machine



Quick Cycle

---

**DESCRIPTION**

Washer dryer machine

**LIFE STYLE**

Maestro

**COLOURS**



**REFERENCE**

REF. 114030001  
EAN. 8434778009736

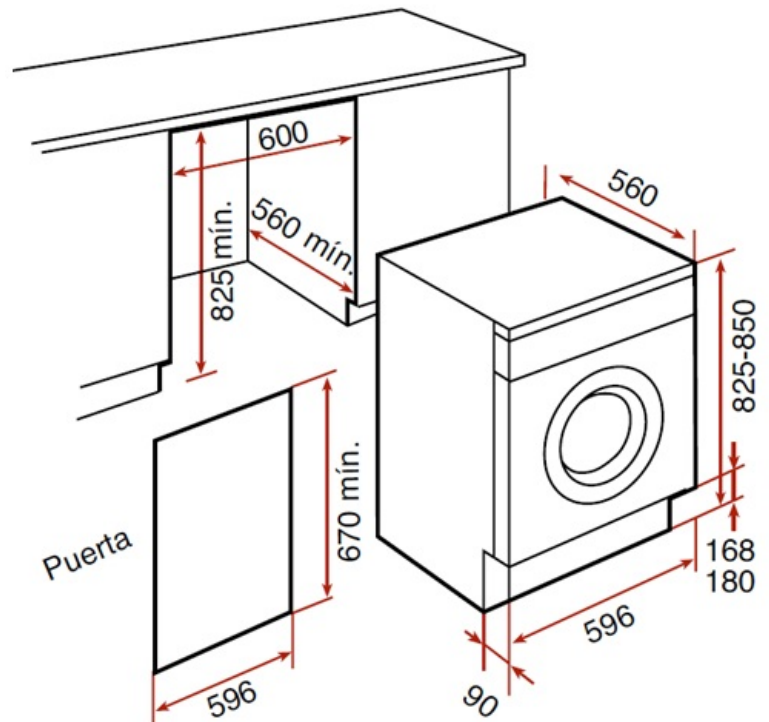


**TEKA**

**LSI4 1470**

**FEATURES**

Integrated washer dryer  
Washing capacity : 7 kg  
Drying capacity : 4 kg  
12 washing programmes  
3 drying programmes  
Maximum spin speed : 1400 rpm  
Electronic control panel  
Fast program 15 minutes  
Automatic water regulation  
Delay timer 1-24h  
Balance control system  
Foam control system  
30 cm wide porthole  
Reversible door  
Energy class A/A



## DIMENSIONS

**Product height (mm):** 820  
**Product width (mm):** 596  
**Product depth (mm):** 560  
**Product length (mm):**  
**Net weight (Kg):** 83

## TECH SPECS

### PRODUCT SHEET

**Type of installation:** Built-in  
**Certificates:** CE + IMQ + VDE

### POWER SUPPLY

**Frequency (Hz):** 50  
**Power rate (V):** 220-240  
**Maximum Nominal Power (W):** 2200  
**Nominal power motor (W):** 340  
**Power of heating element (W):** 2000

### PARTICULAR CHARACTERISTICS

**Stainless Steel Drum:** Yes  
**Number of programs:** 12  
**Control panel:** ELECTRONIC  
**Child lock:** Yes  
**Auto lock door:** Yes  
**Cancel spin cycle button:** Yes  
**Reversible door:** Yes

## CONTROL INDICATOR LIGHTS

## SPECIAL FUNCTIONS

## EQUIPMENT

## PRODUCT INFORMATION SHEET (UE) 2019/2014

**Selected program indicator:** Yes

**Remaining time:** Yes

**Drying:** Yes

**Dryer timer:** Yes

**Fast program:** Yes

**Fast program (minutes):** 15

**Economic program:** Yes

**Resistant:** Yes

**Easy ironing/anti crease:** Yes

**Adjustable feet front:** Yes

**General product parameters**

**Dimensions (cm)**

**Energy efficiency index**

**Energy efficiency class**

**Washing efficiency index**

**Rinsing effectiveness (g/kg dry textile)**

**Consumption**

**Maximum temperature inside the treated textile (°C) for the eco 40-60 programme**

**Remaining moisture content (%) for the eco 40-60 programme**

**Spin speed (rpm) Eco 40-60 programme**

**Eco 40-60 programme duration (h:min)**

**Wash and dry cycle duration (h:min)**

**Other**

**Minimum duration of the guarantee offered by the supplier (c):** 24

**Additional information**

Weblink to the supplier's website, where the information in point 9 of Annex II to Regulation (EU) 2019/2023 is found (b):

(a) for the eco 40-60 programme

(b) for the wash and dry cycle

(c) changes to these items shall not be considered relevant for the purposes of paragraph 4 of Article 4 of Regulation (EU) 2017/1369.

(d) if the product database automatically generates the definitive content of this cell the supplier shall not enter these data.

**Additional information:**

(c) where appropriate, the references of the harmonised standards applied;

(d) where appropriate, the other technical standards and specifications used;

(e) the details and the results of calculations performed in accordance with Annex IV;

(f) a list of all equivalent models including the model identifier.

## TECHNICAL DOCUMENTATION (UE) 2019/2014

