



# RFD 77820 190cm A++ French Door No-Frost Refrigerator



Gourmet Box



IonClean Technology



LED



LongLife No Frost



On Holidays function



Vitacare Box



Motor inverter

**DESCRIPTION**

190cm A++ French Door No-Frost Refrigerator

**LIFE STYLE**

Maestro

**COLOURS**

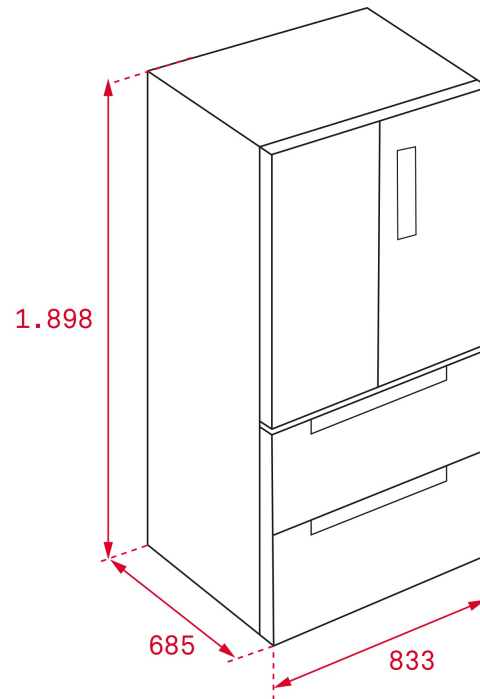


**REFERENCE**

REF. 113430019  
EAN. 8434778010152

**FEATURES**

French Door Gourmet Refrigerator  
Motor inverter with high efficiency compressor  
IonClean technology to neutralize bacteria and bad odours  
LongLife No Frost with 3 independent circuits  
Touch control with independent temperature regulator  
Chromed details  
Gourmet Box with telescopic guides and softclose, interior light, display, and Touch control with independent temperature regulator between -2° and +3°C  
2 VitaCare Box drawers with independent humidity control  
Top and back LED light  
TempGuard Radar technology  
Interior LED light in freezer  
Pull-out telescopic softclose drawer with deep tray and two special drawers for meat and fish  
Pull-out telescopic softclose deep drawer with an upper tray with telescopic guides  
Removable freezer drawers for easy cleaning



## DIMENSIONS

**Product height (mm):** 1890  
**Product width (mm):** 833  
**Product depth (mm):** 660  
**Product length (mm):**  
**Net weight (Kg):** 141

## TECH SPECS

### FITTING MEASURES

**Built-in Width (mm):** 0  
**Built-in Depth (mm):** 0  
**Built-in Height (mm):** 0

### PRODUCT SHEET

**Cooling system:** LongLife No Frost  
**No Frost In Refrigerator Compartment:** Yes  
**No Frost in chiller:** Yes  
**No Frost in freezer compartment:** Yes  
**Total gross capacity (litres):** 537  
**Refrigerator compartment capacity (litres):** 335  
**Chilling Compartment Capacity (litres):** 31  
**Freezer compartment capacity (litres):** 165  
**Freezer classification:** 4  
**Freezing capacity:** 13,0  
**Annual Consumption (kWh/year):** 333  
**Temperature Rise Time (h):** 15  
**Climate class:** T  
**Noise level (dB):** 42

## POWER SUPPLY

Frequency (Hz): 50  
Power rate (V): 230  
Power rate (W): 250  
Defrost element power (W): 250  
Energy consumption (kw/day): 0,915  
Cable Connection Length (cm): 175

## PARTICULAR CHARACTERISTICS

Type of installation: Free standing  
Automatic defrosting in the refrigeration compartment: Yes  
Automatic defrosting in the freezer compartment: Yes  
Electronic adjustable thermostat: Yes  
Display on door: Yes  
Fingerprint proof door: Yes  
Antibacterial treatment: IonClean  
Freezing set button: Yes  
Cooling set button: Yes  
Lock function: Yes  
Fast freezing: Yes  
Fast Cooling Function: Yes  
On Holidays Function: Yes  
Inner light: Yes  
Type of inner light: LED  
Integrated handle: Yes

## CONTROL INDICATOR LIGHTS

Operating light fridge: Yes  
Operating light freezer: Yes  
Freezer compartment temperature display: Yes  
Fast freezing indicator: Yes  
Acoustic alarm: Yes  
Visual alarm: Yes

## EQUIPMENT

Antibacterial gasket: Yes  
Multipurpose compartment: NO  
Ice cubes tray: 1  
Bottle rack type: CHROMED  
Dairy covered compartment: Yes  
Adjustable feet front: Yes  
Roller (rear): Yes  
Refrigerator adjustable shelves: Yes  
Vegetable drawers: 2  
Temperature and humidity regulation in drawers: VitaCare Box

## PRODUCT INFORMATION SHEET (UE) 2019/2016

Supplier name or trademark: TEKA  
Supplier's address:  
Model identifier:

Type of refrigerating appliance

Low-noise appliance:  
Design type:  
Wine storage appliance:  
Other refrigerating appliance:

Overall dimensions (mm)

Height: 1890  
Width: 833  
Depth: 660  
Total volume (dm<sup>3</sup> or l):  
Energy efficiency class:  
Airborne acoustical noise emissions (dB(A) re 1 pW):  
Airborne acoustical noise emission class:

**Annual energy consumption (kWh/a):**

**Climate class: T**

**Minimum ambient temperature (°C), for which the refrigerating appliance is suitable:**

**Maximum ambient temperature (°C), for which the refrigerating appliance is suitable:**

**Winter setting:**

**Compartment 1:**

**Compartment 1 - Compartment Volume (l):**

**Compartment 1 - Recommended temperature setting for optimised food storage (°C):**

**Compartment 1 - Freezing capacity (kg/24h):**

**Compartment 1 - Defrosting type:**

**Compartment 1 - Target temperature (°C):**

**Compartment 1 - Thermodynamic parameter (rc):**

**Compartment 1 - Nc:**

**Compartment 1 - Mc:**

**Compartment 1 - Defrost factor (Ac):**

**Compartment 1 - Built-in factor (Bc):**

**Compartment 2:**

**Compartment 2 - Compartment Volume (l):**

**Compartment 2 - Recommended temperature setting for optimised food storage (°C):**

**Compartment 2 - Freezing capacity (kg/24h):**

**Compartment 2 - Defrosting type:**

**Compartment 2 - Target temperature (°C):**

**Compartment 2 - Thermodynamic parameter (rc):**

**Compartment 2 - Nc:**

**Compartment 2 - Mc:**

**Compartment 2 - Defrost factor (Ac):**

**Compartment 2 - Built-in factor (Bc):**

**Compartment 3:**

**Compartment 3 - Compartment Volume (l):**

**Compartment 3 - Recommended temperature setting for optimised food storage (°C):**

**Compartment 3 - Freezing capacity (kg/24h):**

**Compartment 3 - Defrosting type:**

**Compartment 3 - Target temperature (°C):**

**Compartment 3 - Thermodynamic parameter (rc):**

**Compartment 3 - Nc:**

**Compartment 3 - Mc:**

**Compartment 3 - Defrost factor (Ac):**

**Compartment 3 - Built-in factor (Bc):**

**Compartment 4:**

**Compartment 4 - Compartment Volume (l):**

**Compartment 4 - Recommended temperature setting for optimised food storage (°C):**

**Compartment 4 - Freezing capacity (kg/24h):**

**Compartment 4 - Defrosting type:**

**Compartment 4 - Target temperature (°C):**

**Compartment 4 - Thermodynamic parameter (rc):**

**Compartment 4 - Nc:**

**Compartment 4 - Mc:**

**Compartment 4 - Defrost factor (Ac):**

**Compartment 4 - Built-in factor (Bc):**

**Compartment 5 - Type:**

**Compartment 5 - Compartment Volume (l):**

**Compartment 5 - Recommended temperature setting for optimised food storage (°C):**

**Compartment 5 - Freezing capacity (kg/24h):**

**Compartment 5 - Defrosting type:**

**Compartment 5 - Target temperature (°C):**

**Compartment 5 - Thermodynamic parameter (rc):**

**Compartment 5 - Nc:**

**Compartment 5 - Mc:**

**Compartment 5 - Defrost factor (Ac):**

**Compartment 5 - Built-in factor (Bc):**

#### Light source parameters

**Light source - Type of light source:**

**Light source - Energy efficiency class:**

**Minimum duration of the guarantee offered by the manufacturer (b):**

#### Additional information:

Weblink to the manufacturer's website, where the information in point 4(a) Annex of Commission Regulation (EU) 2019/2019 (1) (b) is found:  
(a) as determined in accordance with Commission Delegated Regulation (EU) 2019/2015 (2).

(b) changes to these items shall not be considered relevant for the purposes of point 4 of Article 4 of Regulation (EU) 2017/1369.

(c) if the product database automatically generates the definitive content of this cell the supplier shall not enter these data.

(1) Commission Regulation (EU) 2019/2019 of 1 October 2019 laying down ecodesign requirements for refrigerating appliances pursuant to Directive 2009/125/EC of the European Parliament and of the Council and repealing Commission Regulation (EC) No 643/2009 (see page 187 of this Official Journal).(2)

(2) Commission Delegated Regulation (EU) 2019/2015 of 11 March 2019 supplementing Regulation (EU) 2017/1369 of the European Parliament and of the Council with regard to energy labelling of light sources and repealing Commission Delegated Regulation (EU) No 874/2012 (see page 68 of this Official Journal).



RFD 77820

ENERGY LABEL

The energy label for the TEKA RFD 77820 S refrigerator features a blue border and includes the following information:

- Top Header:** The word "ENERG" in large blue letters, with "енергия · енергija" below it. To the right are two circular icons: one with "Y U/A" and another with "IE I/A".
- Brand and Model:** The TEKA logo is on the left, and the model number "RFD 77820 S" is on the right.
- Energy Efficiency Scale:** A vertical scale of seven colored arrows pointing right, labeled from top to bottom: A+++ (dark green), A++ (green), A+ (light green), A (yellow), B (orange), C (dark orange), and D (red). A black arrow points to the A++ level.
- Annual Energy Consumption:** A white box with a blue border contains the number "333" in large black font, with "kWh/annum" below it. To the left of this box, the word "ENERGIA" is written in four different languages: ENERGIJA, ENERGIJA, ENERGIJA, ENERGIJA.
- Capacity and Noise:** Three icons are arranged horizontally: a milk carton labeled "1L" with "335 L" below it; a snowflake with "165 L" below it; and a speaker icon with "42 dB" below it.
- Bottom Left:** The number "2010/1060" is printed in small black text.