



**DVT Pro 98660 TBS BK** 90cm Vertical Decorative Hood in full glass design and FreshAir function



Fresh AIR



LED



Perimeter extraction



Stop Delay  
Timer

**DESCRIPTION**

90cm Vertical Decorative Hood in full glass design and FreshAir function

**COLOURS**

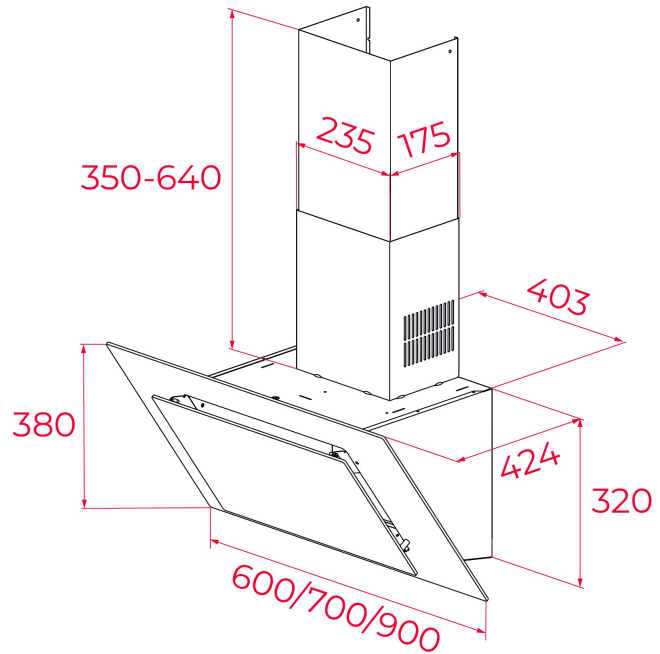


**REFERENCE**

REF. 112930043  
EAN. 8434778013252

**FEATURES**

Urban Colors Edition  
Decorative vertical hood  
Touch control with display  
FreshAir function  
3 speeds + 1 intensive  
Intensive speed exhaust capacity (m<sup>3</sup>/h): 698  
Max speed exhaust capacity (m<sup>3</sup>/h): 584  
Min speed exhaust capacity (m<sup>3</sup>/h): 307  
Intensive speed sound level (dBA): 74  
Max speed sound level (dBA): 68  
Min speed sound level (dBA): 52  
2 LED lamps  
2 Aluminum Filters  
Stop delay timer  
Filter saturation indicator  
Anti-return valve included  
Outlet reduction included  
Optional recirculation kit with tube cover installation: CFH 15200 L2C  
Optional regenerative recirculation kit with tube cover installation: RFH 15200 L2C  
Optional recirculation kit without tube cover installation: CFH 15200 O2C  
Optional regenerative recirculation kit without tube cover installation: FH 15200 O2C  
Optional Charcoal Filter: C1RTK  
Optional Regenerative filter: R1RTK



## DIMENSIONS

**Product height (mm):** 800-1100

**Product width (mm):** 900

**Product depth (mm):** 412

**Product length (mm):**

**Net weight (Kg):** 16,2

## TECHNICAL DETAILS

### FEATURES

**Certificates:** CE; CB; Rohs; Gmark

**Ø Outlet (mm):** 150

**Removable oil collector:** Yes

**Dual Aspiration System:** Yes

**Inside light Consumption (W):** 4,2

**Plug type:** Schuko plug

**Cable Connection Length (cm):** 100

**Power rate (V):** 220-240

**Frequency (Hz):** 50/60

**Total hood power (W):** 286

**Number of motors:** 1

**Motor power (W):** 280

### ACCESSORIES

**Anti Return valve:** Yes

**Outlet reduction :** Yes

**Outlet extension:** No

**Optional Charcoal Filter:** C1RTK

**Regenerative charcoal filter:** R1RTK

**Integration Frontal panel Code:** No

**Conventional recirculation kit (opt) - w/tube cover:** CFH 15200

L2C

**Regenerative recirculation kit (opt) - w/tube cover:** RFH 15200

L2C

**Conventional recirculation kit (opt) - w/o tube cover:** CFH 15200

O2C

**Regenerative recirculation kit (opt) - w/o tube cover:** RFH  
15200 O2C

## **MODELS**

**Number of filters:** 2

**Opening system:** Piston

**Stop delay timer:** Yes

**Filter saturation indicator:** Yes

**Number of speeds:** 3 + 1

**Fresh air function:** Yes



DVT Pro 98660 TBS BK

ENERGY LABEL

