



RVI 460 Built in Wine Cooler with 7 shelves for 46 bottles



LED



Motor inverter

DESCRIPTION

Built in Wine Cooler with 7 shelves for 46 bottles

LIFE STYLE

Maestro

COLOURS



REFERENCE

REF. 113600002
EAN. 8434778017977



TEKA

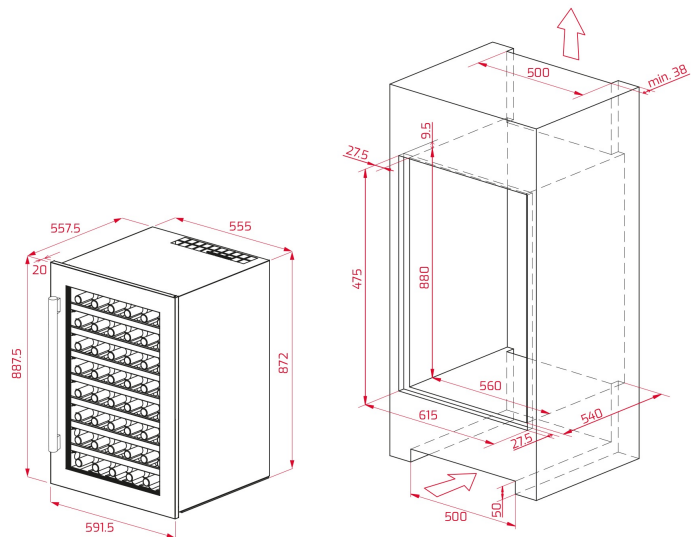
RVI 460

FEATURES

Built-in Wine Cooler
Energy class: F
Digital control panel with LED display
Exterior Finish: Stainless Steel
Capacity: 140 L / 46 bottles
Optical temperature alarm
LED interior lighting
Minimum temperature: 5°C
No. shelves: 7
Power Rate: 92 W
Voltage: 220-240V
Frequency: 50 Hz

DIMENSIONS

Product height (mm): 887,5
Product width (mm): 591,5
Product depth (mm): 557,5
Product length (mm):
Net weight (Kg): 46



TECH SPECS

FITTING MEASURES

Built-in Height (mm): 887.5
Built-in niche (cm): 88

PRODUCT SHEET

Cooling system: No Frost
No Frost In Refrigerator Compartment: Yes
Total gross capacity (litres): 140
Annual Consumption (kWh/year): 106
Climate class: N-ST
Noise level (dB): 39
Certificates: CE, CB, RoHS, REACH

POWER SUPPLY

Frequency (Hz): 50
Power rate (V): 220-240
Power rate (W): 92
Defrost element power (W): NO
Energy consumption (kw/day): 0,290410959
Plug type: EU
Cable Connection Length (cm): 1.8m
Inside light Consumption (W): 1W

**PARTICULAR
CHARACTERISTICS**

Type of installation: Built-in
Number of bottles (wine cooler): 46
Automatic defrosting in the refrigeration compartment: Yes
Electronic control: Yes
Control panel: Touch control
Electronic adjustable thermostat: Yes
Inner light: Yes
Type of inner light: LED
Reversible doors: Yes
External handle: Yes

CONTROL INDICATOR LIGHTS

Operating light fridge: Yes
Acoustic alarm: Yes
Visual alarm: Yes

EQUIPMENT

Bottle rack type: WOOD
Number of shelves: 7

**PRODUCT INFORMATION
SHEET (UE) 2019/2016**

Supplier name or trademark: TEKA
Supplier's address: C/Cajo, 17, 39011, Santander , Spain
Model identifier: RVI 460

Type of refrigerating appliance

Low-noise appliance: 0
Design type: BUILT IN
Other refrigerating appliance: 0

Overall dimensions (mm)

Height: 887,5
Width: 591,5
Depth: 557,5
Total volume (dm³ or l): 124
Airborne acoustical noise emissions (dB(A) re 1 pW): 39
Airborne acoustical noise emission class: C
Annual energy consumption (kWh/a): 106
Climate class: N-ST

Minimum ambient temperature (°C), for which the refrigerating appliance is suitable: 16

Maximum ambient temperature (°C), for which the refrigerating appliance is suitable: 38

Compartment 1: Wine storage

Compartment 1 - Compartment Volume (l): 124

Compartment 1 - Recommended temperature setting for optimised food storage (°C): 12

Compartment 1 - Defrosting type: M

Compartment 1 - Target temperature (°C): 12

Compartment 1 - Thermodynamic parameter (rc): 0,6

Compartment 1 - Nc: 75

Compartment 1 - Mc: 0,12

Compartment 1 - Defrost factor (Ac): 1

Light source parameters

Light source - Type of light source: LED

Light source - Energy efficiency class: G

Minimum duration of the guarantee offered by the

manufacturer (b): 1 year for the product; 2 years for compressor;

Light source parameters

Light source - Type of light source: LED

Light source - Energy efficiency class: G

Minimum duration of the guarantee offered by the manufacturer (Years) (b): 1 year for the product; 2 years for compressor;

Additional information:

Weblink to the manufacturer's website, where the information in point 4(a) Annex of Commission Regulation (EU) 2019/2019 (1) (b) is found: (a) as determined in accordance with Commission Delegated Regulation (EU) 2019/2015 (2).

(b) changes to these items shall not be considered relevant for the purposes of point 4 of Article 4 of Regulation (EU) 2017/1369.

(c) if the product database automatically generates the definitive content of this cell the supplier shall not enter these data.

(1) Commission Regulation (EU) 2019/2019 of 1 October 2019 laying down ecodesign requirements for refrigerating appliances pursuant to Directive 2009/125/EC of the European Parliament and of the Council and repealing Commission Regulation (EC) No 643/2009 (see page 187 of this Official Journal).(2)

(2) Commission Delegated Regulation (EU) 2019/2015 of 11 March 2019 supplementing Regulation (EU) 2017/1369 of the European Parliament and of the Council with regard to energy labelling of light sources and repealing Commission Delegated Regulation (EU) No 874/2012 (see page 68 of this Official Journal).

