



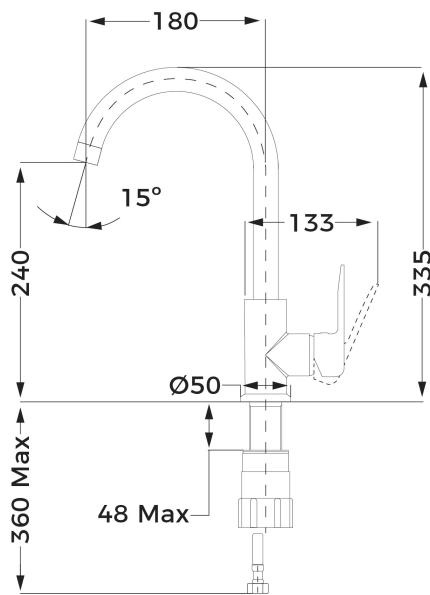
Anti-scale
aerator



Swivel
spout



Easy
installation



REFERENCE

REF: 539156200

EAN: 8413509228509

FEATURES

High spout kitchen tap
Swivel spout
Anti-scale aerator
35 mm cartridge
Cartridge with ceramic discs of high resistance
Highly precise temperature control
Greater handling sensitivity with smoother movements
Easy-Quick fixation system
3/8" certified flexible inlet pipes

DIMENSIONS

Product height (mm): 335

Product width (mm):

Product depth (mm):

Product length (mm):

Net weight (Kg): 1

COLOURS



539156200

Chrome