



DU 985 Vertical Decorative Hood with Touch Control and ECOPOWER motor



LED



Stop Delay
Timer

DESCRIPTION

Vertical Decorative Hood with Touch Control and ECOPOWER motor

LIFE STYLE

Maestro

COLOURS

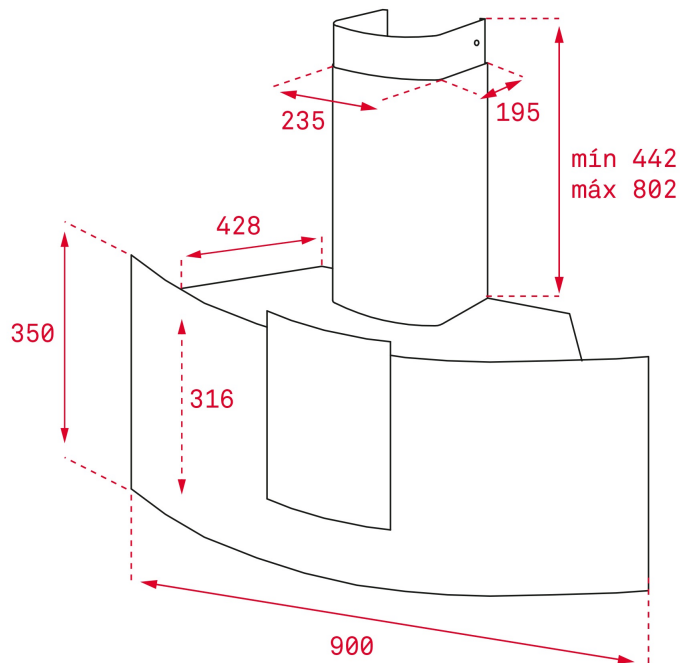


REFERENCE

REF. 40482610
EAN. 8421152145821

FEATURES

Vertical decorative hood
EcoPower motor
Energy Efficiency class: A
Touch control White display
Operating pilot light
3 speeds + 1 intensive
Exhaust capacities:
Free Outlet, m³/h: 920
Qboost, m³/h: 807
Max., m³/h: 631
Min., m³/h: 315
Noise (LwA) Boost Speed, dB: 72
Noise (LwA) Max Speed, dB: 68
Noise (LwA) Min Speed, dB: 56
Noise (LwA) Min Speed dB: 48 dB
4 LED lamps
1 stainless steel filter
Easy to clean inside panel
Stop delay timer
Filter saturation indicator



DIMENSIONS

Product height (mm): 350
Product width (mm): 900
Product depth (mm): 450
Product length (mm):
Net weight (Kg): 21,5

TECH SPECS

PARTICULAR CHARACTERISTICS

Type of hood: Vertical
Style: Decoratives
Certificates: CE; CB; Rohs
Ø Outlet (mm): 150
Type of inner light: LED
Inside light Consumption (W): 3
Plug type: European plug
Power rate (V): 220240
Frequency (Hz): 50
Total hood power (W): 292
Number of motors: 1
Motor power (W): 280
Exhaust Capacity - Free Outlet (m3/h): 920

**EU REGULATION NO. 65/2014
&66/2104**

Annual energy consumption AEC kWh/annum (kWh): 46,2
Energy Efficiency Class: A
Fluid Dynamic Efficiency (FDEhood): 32,3
Fluid Dynamic Efficiency class: A
Light Efficiency (Lehood) lux/Watt: 73,3
Lighting Efficiency class: A

Grease Filtering Efficiency class: B
Air flow (Qmin) m3/h: 315
Air flow (Qmax): 631
Air flow (Qboost): 807
Noise (LwA) Min Speed (dB): 56
Noise (LwA) Max Speed (dB): 68
Noise (LwA) boost speed (dB): 72
Off mode Power (Po) W: 0,00
Standby Power (Ps) W: 0,74
Energy Efficiency Index (EEI): 49,9
Time increase factor: 0,8
Electric power input at best efficiency point (Wbep) W: 128,3
Nominal power of the lighting system (WL) W: 12
Average illumination of the lighting system on the cooking surface (Emiddle) Lux: 879

ACCESSORIES

Anti Return valve: Yes
Outlet reduction: Yes
Optional Charcoal Filter: D4C
Charcoal filter description: CHARCOAL FILTER D4C
Conventional recirculation kit (with tube cover): 40490146

MODELS

Number of filters: 1
Filter description: Stainless Steel filters
Control panel: Touch control White display
Stop delay timer: Yes
Filter saturation indicator: Yes
Easy-clean inside panel: Yes
Number of speeds: 3+1

PRODUCT INFORMATION SHEET - DELEGATED REGULATION (EU) 65/2014

Supplier name or trademark: TEKA
Model identifier: DU 985
Annual Energy Consumption: 46,2
Energy Efficiency Class: A
Fluid Dynamic Efficiency: 32,3
Fluid Dynamic Efficiency class: A
Lighting Efficiency: 73,3
Lighting Efficiency class: A
Grease Filtering Efficiency:
Grease Filtering Efficiency class: B
Air flow (min speed normal use): 315
Air flow (max speed normal use): 631
Air flow (intensive or boost use): 807
Airborne acoustical A-weighted sound power emissions (min speed normal use): 56
Airborne acoustical A-weighted sound power emissions (max speed normal use): 68
Airborne acoustical A-weighted sound power emissions (intensive or boost use): 72
Power consumption in off mode (W): 0,00
Power consumption in standby mode (W): 0,74



DU 985

ENERGY LABEL

