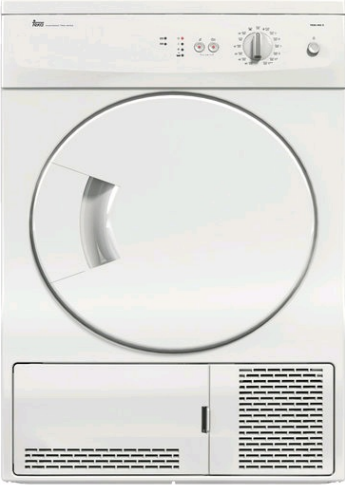




TKS3 690 C 7kg B/B Free Standing Dryer with humidity sensor



Hand Wash



Quick Cycle



Washing capacity: 7Kg

DESCRIPTION

7kg B/B Free Standing Dryer with humidity sensor

LIFE STYLE

Total

COLOURS



REFERENCE

REF. 40851020
EAN. 8421152111796

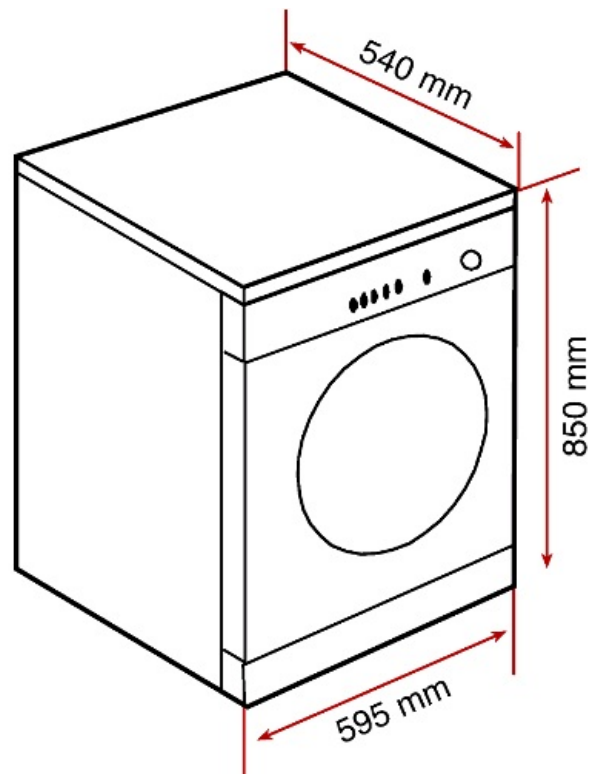


TEKA

TKS3 690 C

FEATURES

Free standing dryer
Condenser dryer
15 programmes
Drying capacity : 7 kg
Electronic control panel
Humidity sensor
Easy ironing program
Delicate clothing program clothing program
Automatic ventilation program
Cooling Program
Drying time selector
Bi-directional rotation
Remaining time indicator
Removable filter with saturation level indicator
Energy class : B



DIMENSIONS

Product height (mm): 850
Product width (mm): 595
Product depth (mm): 540
Product length (mm):
Net weight (Kg): 37

TECH SPECS

PRODUCT SHEET

Type of load: FRONT
Type of installation: Free standing
Drying capacity (Kgs): 7
Condensation efficiency: B
Energy consumption per drying cycle (Full load) (kWh): 4.15
Energy consumption (kWh/year): 504
Duration of drying cycle (Full load) (minutes): 116
Automatic (sensor drying): Yes
Certificates: CE, VDE

POWER SUPPLY

Frequency (Hz): 50
Power rate (V): 230
Maximum Nominal Power (W): 2500
Nominal power motor (W): 230
Power of heating element (W): 2300

PARTICULAR CHARACTERISTICS

Number of programs: 15
Control panel: Electronic
Electronic washing management: Yes

CONTROL INDICATOR LIGHTS

SPECIAL FUNCTIONS

EQUIPMENT

PRODUCT INFORMATION SHEET (UE) 2019/2014

TECHNICAL DOCUMENTATION (UE) 2019/2014

Bidirectional rotation: Yes

Reversible door: Yes

Drum: Galvanized

Remaining time: Yes

Fast program: Yes

Fast program (minutes): 10,20,40,60

Delicate fabrics: Yes

Resistant: Yes

Easy ironing/anti crease: Yes

Adjustable feet front: Yes

General product parameters

Dimensions (cm)

Consumption and efficiency

Maximum temperature inside the treated textile (a) (°C)

Remaining moisture content (a) (%)

Spin speed (a) (rpm)

Eco 40-60 programme duration (a) (h:min)

Other

Additional information:

Weblink to the supplier's website, where the information in point 9 of Annex II to Commission Regulation (EU) 2019/2023 (1) (b) is found:

(a) for the eco 40-60 programme.

(b) changes to these items shall not be considered relevant for the purposes of paragraph 4 of Article 4 of Regulation (EU) 2017/1369.

(c) if the product database automatically generates the definitive content of this cell the supplier shall not enter these data.

Additional information:

(c) where appropriate, the references of the harmonised standards applied;

(d) where appropriate, the other technical standards and specifications used;

(e) the details and the results of calculations performed in accordance with Annex IV;

(f) a list of all equivalent models including the model identifier.

