



HLC 844 C SurroundTemp Compact Multifunction Oven in 45cm with microwave function



Defrost By
Time



Defrost By
Weight



40L



HydroClean



SurroundTemp

DESCRIPTION

SurroundTemp Compact Multifunction Oven in 45cm with microwave function

LIFE STYLE

Maestro

COLOURS

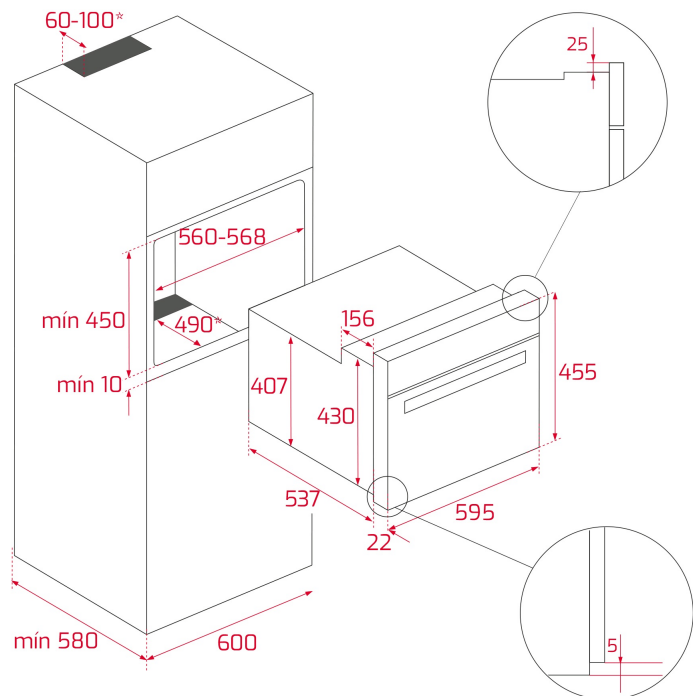


REFERENCE

REF. 40587602
EAN. 8421152145463

FEATURES

Combi Multifunction SurroundTemp + Microwave
HydroClean® ECO cleaning system
Esmalte Slippery
Capacity, gross/net: 41/40 litres
Touch Control panel with LED display
11 cooking functions
Quick start 30
Pizza, ECO functions & automatic defrost by time and weight
Children safety block
Automatic disconnection security system
Triple removable glazed door
Full glass inner door
Tangential ventilation
Anti-tip glass tray and reinforced grid
Optional Muticook and cast aluminium tray



DIMENSIONS

Product height (mm): 455
Product width (mm): 595
Product depth (mm): 559
Product length (mm):
Net weight (Kg): 30,0

TECH SPECS

PARTICULAR CHARACTERISTICS

Certificates: CE/CB
Number of cavities: 1
Type of inner light: HALOG
Inside light position: Top rear right
Enamelled cavity: Yes
Function selector: Mechanical
Number of cooking functions: 11
MaxiGrill function: Yes
Bottom function: Yes
Turbo function: Yes
ECO function: Yes
Touch Control Programmer: Yes
Knobs type: MMX FIX KNOB
Removable chromed tray guides: Yes
Number of guide levels: 5
Number of guide levels (lower cavity): 0
Forced refrigeration tangential 1 speed: Yes
Microwave function: Yes
Microwave defrosting: Yes
Number of power levels: 5
Seconds Quick Start: Yes
Tangential ventilation: Yes

ELECTRIC CONNECTION

Maximum Nominal Power (W): 3400
Frequency (Hz): 50
Power rate (V): 220-240
Cable Connection Length (cm): 110
Inside light Consumption (W): 25

ENERGY CONSUMPTION

Bottom Heating Element (W): 1000
Maxi Grill (W): 2500
Traditional (W): 2100
Turbo (W): 1600
Multifunction Turbo (W): 30
Cooling Fan Motor (W): 18

SECURITY SYSTEM

Automatic disconnection when opening the door: Yes
Panel blocking system: Yes
Children safety block option: Yes
Grill protection: Yes
Anti-tip tray system: Yes
Safety Thermostat: Yes

CLEANING SYSTEM

Fingerprint proof stainless steel: Yes
Crystal Clean Enamel (Slippery): Yes
Hydroclean ECO: Yes

ACCESSORIES

Glass Tray: 1
Reinforced grid: 1

PRODUCT INFORMATION SHEET - DELEGATED REGULATION (EU) 65/2014

Supplier name or trademark: TEKA
Model identifier: HLC 844 C
Number of cavities: 1

Cavity 1

Energy Efficiency Index:
Energy Efficiency Class:
Energy consumption per cycle (conventional mode):
Energy consumption per cycle (fan-forced convection mode):
Heat source : Electric
Volume: 41

