



RFD 77820 190cm A++ French Door No Frost Refrigerator



Motor Inverter



On Holidays function



Gourmet Box



IonClean Technology



LED



LongLife No Frost



Vitacare Box

DESCRIPTION

190cm A++ French Door No Frost Refrigerator

LIFE STYLE

Maestro

COLOURS

REFERENCE

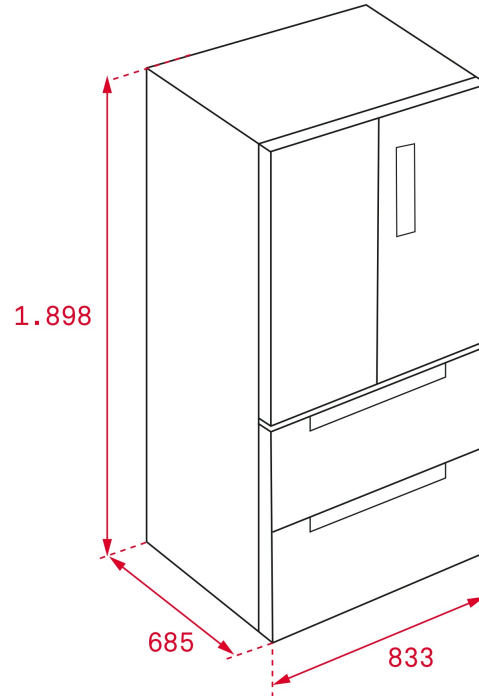
REF. 113430004
EAN. 8434778001471

FEATURES

French Door Gourmet Refrigerator
Motor inverter with high efficiency compressor
IonClean technology to neutralize bacteria and bad odours
LongLife No Frost with 3 independent circuits
Touch control with independent temperature regulator
Chromed details
Gourmet Box with telescopic guides and softclose, interior light, display, and Touch control with independent temperature regulator between -2° and +3°C
2 VitaCare Box drawers with independent humidity control
Top and back LED light
TempGuard Radar technology
Interior LED light in freezer
Pull-out telescopic softclose drawer with deep tray and two special drawers for meat and fish
Pull-out telescopic softclose deep drawer with an upper tray with telescopic guides
Removable freezer drawers for easy cleaning

DIMENSIONS

Product height (mm): 1898
Product width (mm): 833
Product depth (mm): 685
Product length (mm):
Net weight (Kg): 136



TECH SPECS

FITTING MEASURES

Built-in Width (mm): 0
Built-in Depth (mm): 0
Built-in Height (mm): 0

PRODUCT SHEET

Cooling system: LongLife No Frost
Energy Efficiency Class: A++
No Frost In Refrigerator Compartment: Yes
No Frost in chiller: Yes
No Frost in freezer compartment: Yes
Total gross capacity (litres): 537
Refrigerator compartment capacity (litres): 304
Chilling Compartment Capacity (litres): 31
Freezer compartment capacity (litres): 165
Freezer classification: 4
Freezing capacity: 13,0
Annual Consumption (kWh/year): 333
Temperature Rise Time (h): 15
Climate class: T
Noise level (dB): 42
Certificates: CB/DE

POWER SUPPLY

Frequency (Hz): 50
Power rate (V): 230
Power rate (W): 250
Defrost element power (W): 250
Energy consumption (kw/day): 0,915
Cable Connection Length (cm): 175

PARTICULAR CHARACTERISITICS

Type of installation: Free standing
Automatic defrosting in the refrigeration compartment: Yes
Automatic defrosting in the freezer compartment: Yes
Electronic adjustable thermostat: Yes
Display on door: Yes
Fingerprint proof door: Yes
Antibacterial treatment: IonClean
Freezing set button: Yes
Cooling set button: Yes
Lock function: Yes
Fast freezing: Yes
Fast Cooling Function: Yes
On Holidays Function: Yes
Inner light: Yes
Type of inner light: LED
Integrated handle: Yes

CONTROL INDICATOR LIGHTS

Operating light fridge: Yes
Operating light freezer: Yes
Freezer compartment temperature display: Yes
Fast freezing indicator: Yes
Acoustic alarm: Yes
Visual alarm: Yes

EQUIPMENT

Antibacterial gasket: Yes
Multipurpose compartment: NO
Ice cubes tray: 1
Bottle rack type: CHROMED
Dairy covered compartment: Yes
Adjustable feet front: Yes
Roller (rear): Yes
Refrigerator adjustable shelves: Yes
Vegetable drawers: 2
Temperature and humidity regulation in drawers: VitaCare Box



RFD 77820

ENERGY LABEL

The energy label for the TEKA RFD 77820 GBK refrigerator is a vertical rectangular sticker with a blue border. At the top left is the European Union flag. To its right is the word "ENERG" in large blue letters, with "енергия · ενεργεια" in smaller text below it. Further right are two small circular icons: one with "Y IJA" and another with "IE IA". Below this header is the TEKA logo and the model number "RFD 77820 GBK". The central part of the label features a vertical scale of energy efficiency classes from A+++ (dark green) at the top to D (dark red) at the bottom. A black arrow points to the A++ class. Below the scale, the energy consumption is listed as "333 kWh/annum" in a white box with a blue border. To the left of this box, the word "ENERGIA" is written in multiple languages: ENERGIJA, ENERPIJA, ENERGIJA, ENERGI. At the bottom of the label are three icons: a water tap labeled "335 L", a snowflake labeled "165 L", and a speaker labeled "42 dB". The number "2010/1060" is printed at the very bottom.