



ML 822 BIS L Built-in Microwave with ceramic base + Grill



Ceramic base



Defrost By
Time



Defrost By
Weight



Direct Access
Menu



Electronic Door
Opening



22L

DESCRIPTION

Built-in Microwave with ceramic base + Grill

LIFE STYLE

Maestro

COLOURS



REFERENCE

REF. 40584300
EAN. 8421152145494

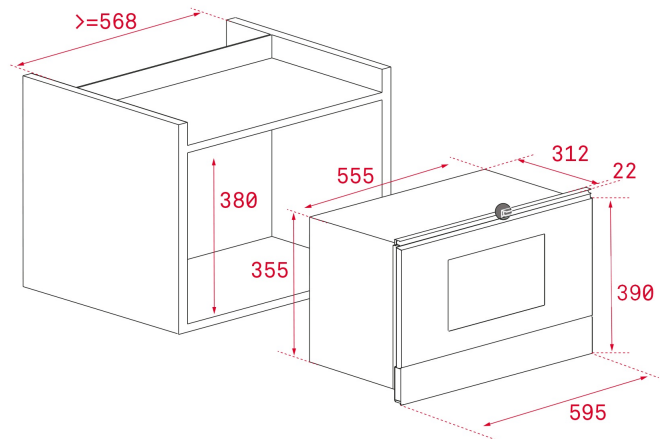


TEKA

ML 822 BIS L

FEATURES

Ceramic base microwave + grill
Electronic glass control panel with digital clock
Dropdown grill, 1.200W
5 power levels, 850 W out
Stainless steel cavity
Ceramic base with uniform heating
Forced tangential ventilation
Program selector and electronic functions
Quick start 30''
Defrost (5 programs)
9 direct access menus
Browning plate and reinforced grill grid



DIMENSIONS

Product height (mm): 390
Product width (mm): 595
Product depth (mm): 334
Product length (mm):
Net weight (Kg): 22

TECH SPECS

PARTICULAR CHARACTERISTICS

Certificates: CE/CB/Gmark
Number of cavities: 1
Type of inner light: INCANDESCENT
Inside light position: RIGHT
Number of cooking functions: 3
Grill function: Yes
Drop-down grill: Yes
Number of guide levels (lower cavity): 0
Forced refrigeration tangential 1 speed: Yes
Microwave function: Yes
Number of power levels: 5
Minute Quick Start: Yes
Seconds Quick Start: Yes
Tangential ventilation: Yes

ELECTRIC CONNECTION

Maximum Nominal Power (W): 2500
Frequency (Hz): 50
Power rate (V): 220-240
Cable Connection Length (cm): 110
Plug: Yes

ENERGY CONSUMPTION

Inside light Consumption (W): 20

Energy consumption per cycle in conventional mode (kWh):

0.362

Grill (W): 1200

Maxi Grill (W): 1200

Cooling Fan Motor (W): 18

SECURITY SYSTEM

Automatic disconnection when opening the door: Yes

Panel blocking system: Yes

Children safety block option: Yes

Grill protection: Yes

Safety Thermostat: Yes

ACCESSORIES

Glass Tray: 0

Crunch plate: YES

ENERGY EFFICIENCY

Energy Efficiency Index (EEI): A

