



# QUADRO DLV 980 90cm Vertical Hood with Countour rim system extraction



LED



Perimeter extraction



Stop Delay Timer

**DESCRIPTION**

90cm Vertical Hood with Countour rim system extraction

**LIFE STYLE**

Total

**COLOURS**



**REFERENCE**

REF. 40437220  
EAN. 8421152150757

**FEATURES**

Quadro vertical hood  
Extraction rim system "Contour"  
Digital control Touch Control with white display  
3 speeds + Intensive  
Stop delay timer  
LED light bar  
Saturation filters lighting indicator  
Double turbine motor ECOPOWER  
Exhaust capacity (\*): min.278m<sup>3</sup>/h - max.701 m<sup>3</sup>/h  
Sound level (\*): min.42 dBA - máx.59 dBA  
Recirculation function optional (SET D10CTP)

## DIMENSIONS

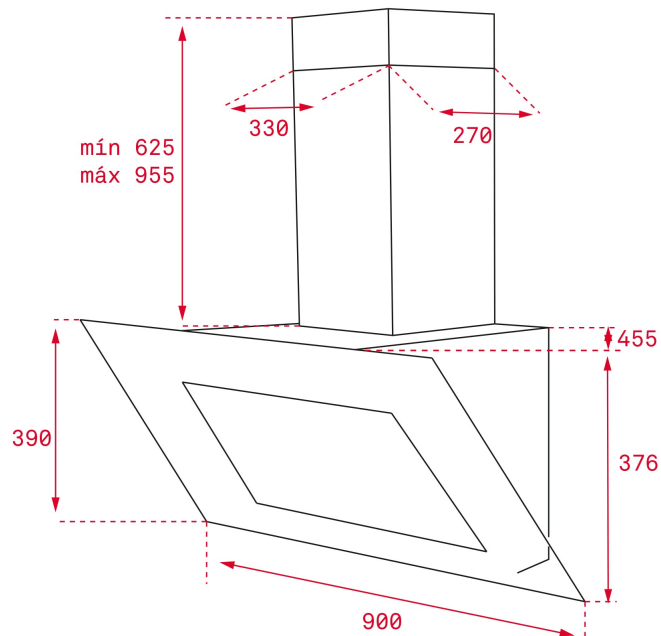
**Product height (mm):** 800-1200

**Product width (mm):** 900

**Product depth (mm):** 450

**Product length (mm):**

**Net weight (Kg):** 23,70



## TECH SPECS

### PARTICULAR CHARACTERISTICS

**Type of hood:** Vertical  
**Style:** Decoratives  
**Certificates:** CE; CB; Rohs,NOM  
**Ø Outlet (mm):** 150  
**Type of inner light:** LED  
**Inside light Consumption (W):** 7  
**Plug type:** Type B  
**Power rate (V):** 110  
**Frequency (Hz):** 60  
**Total hood power (W):** 237  
**Number of motors:** 1  
**Motor power (W):** 230  
**Exhaust Capacity - Free Outlet (m3/h):** 850

### ACCESSORIES

**Anti Return valve:** Yes  
**Outlet reduction:** Yes  
**Optional Charcoal Filter:** D1C  
**Charcoal filter description:** CHARCOAL FILTER D1C

## MODELS

### PRODUCT INFORMATION SHEET - DELEGATED REGULATION (EU) 65/2014

**Number of filters:** 2

**Filter description:** Glass panel; aluminum filter below

**Control panel:** Touch control

**Stop delay timer:** Yes

**Filter saturation indicator:** Yes

**Time clock:** Yes

**Number of speeds:** 3+1

**Supplier name or trademark:** TEKA

**Model identifier:** QUADRO DLV 980

**Annual Energy Consumption:**

**Energy Efficiency Class:**

**Fluid Dynamic Efficiency:**

**Fluid Dynamic Efficiency class:**

**Lighting Efficiency:**

**Lighting Efficiency class:**

**Grease Filtering Efficiency:**

**Grease Filtering Efficiency class:**

**Air flow (min speed normal use):**

**Air flow (max speed normal use):**

**Air flow (intensive or boost use):**

**Airborne acoustical A-weighted sound power emissions (min speed normal use):** 53

**Airborne acoustical A-weighted sound power emissions (max speed normal use):** 64

**Airborne acoustical A-weighted sound power emissions (intensive or boost use):** 70

**Power consumption in off mode (W):**

**Power consumption in standby mode (W):**

