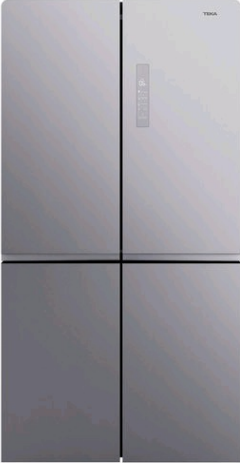




RMF 77920 SS EU LongLife No Frost Side by Side Refrigerator
193cm with 4 doors and inverter motor



Motor Inverter



On Holidays
function



Fresh Box



IonClean
Technology



LED



LongLife No
Frost

DESCRIPTION

LongLife No Frost Side by Side Refrigerator 193cm with 4 doors and inverter motor

LIFE STYLE

Maestro

COLOURS



REFERENCE

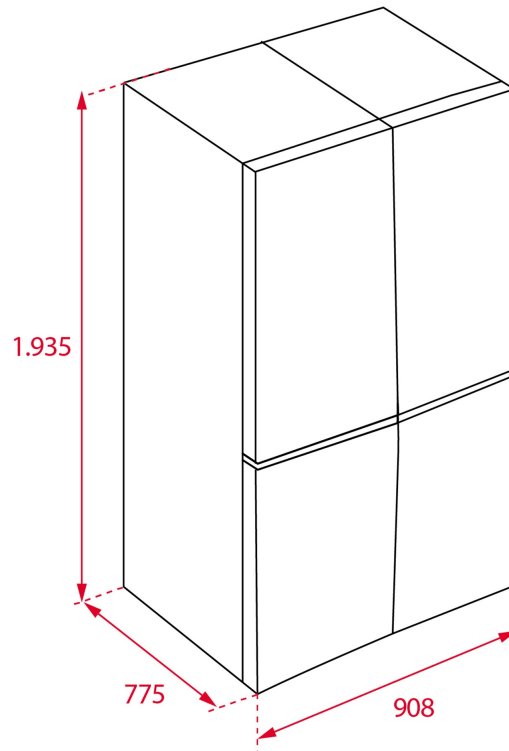
REF. 113430009
EAN. 8434778003888

FEATURES

Side by Side refrigerator
Full No Frost
Motor inverter with high efficiency compressor
IonClean technology to neutralize bacteria and bad odours
LongLife No Frost with 3 independent circuits
Touch control with independent temperature regulator in refrigerator, freezer and Multizone compartment
Eco function
On holidays function
Anti-bacterial treatment
Fast Freeze / Quick Cool function
FreshBox drawers
Twister Ice Maker
3 safety glass shelves with adjustable height
LED illumination
Chrome details
Safety lock for children
6 door adjustable balconies
Climate class: N/T
Total gross capacity: 648 litres
Net capacity: 455 182 litres

DIMENSIONS

Product height (mm): 1935
Product width (mm): 908
Product depth (mm): 775 (762)
Product length (mm):
Net weight (Kg): 133



TECH SPECS

FITTING MEASURES

Built-in Width (mm): 0
Built-in Depth (mm): 0
Built-in Height (mm): 1935

PRODUCT SHEET

Cooling system: LongLife No Frost
No Frost In Refrigerator Compartment: Yes
No Frost in chiller: Yes
No Frost in freezer compartment: Yes
Total gross capacity (litres): 648
Refrigerator compartment capacity (litres): 455
Freezer compartment capacity (litres): 182
Freezer classification: 4
Freezing capacity: 15,0
Annual Consumption (kWh/year): 380
Temperature Rise Time (h): 16
Climate class: N/T
Noise level (dB): 43
Certificates: CE, TUV, GS

POWER SUPPLY

Frequency (Hz): 50
Power rate (V): 220-240
Power rate (W): 175
Defrost element power (W): 262
Energy consumption (kw/day): 1,04
Cable Connection Length (cm): 1750

PARTICULAR CHARACTERISTICS

Type of installation: Free standing
Automatic defrosting in the refrigeration compartment: Yes
Automatic defrosting in the freezer compartment: Yes
Electronic adjustable thermostat: Yes
Display on door: Yes
Fingerprint proof door: Yes
Antibacterial treatment: IonClean
Freezing set button: Yes
Cooling set button: Yes
Lock function: Yes
Fast freezing: Yes
Fast Cooling Function: Yes
On Holidays Function: Yes
Inner light: Yes
Type of inner light: LED
Integrated handle: Yes

CONTROL INDICATOR LIGHTS

Operating light fridge: Yes
Operating light freezer: Yes
Freezer compartment temperature display: Yes
Fast freezing indicator: Yes
Acoustic alarm: Yes

EQUIPMENT

Multipurpose compartment: MultiZone
Twister ice maker: Yes
Ice cubes tray: 2
Bottle rack type: NO
Adjustable feet front: Yes
Roller (rear): Yes
Refrigerator adjustable shelves: Yes
Vegetable drawers: 4
Temperature and humidity regulation in drawers: FRESH BOX

PRODUCT INFORMATION SHEET (UE) 2019/2016

Supplier name or trademark: TEKA
Supplier's address: C/Cajo, 17, 39011, Santander , Spain
Model identifier: RMF 77920 SS EU

Type of refrigerating appliance

Low-noise appliance: 0
Design type: Free standing
Wine storage appliance: 0
Other refrigerating appliance: 1

Overall dimensions (mm)

Height: 1935
Width: 908
Depth: 775
Total volume (dm³ or l): 636
Energy efficiency class: E
Airborne acoustical noise emissions (dB(A) re 1 pW):
Airborne acoustical noise emission class: D
Annual energy consumption (kWh/a): 339
Climate class: N/T

Minimum ambient temperature (°C), for which the refrigerating appliance is suitable:

Maximum ambient temperature (°C), for which the refrigerating appliance is suitable:

Winter setting:

Compartment 1: FRESH FOOD

Compartment 1 - Compartment Volume (l): 441

Compartment 1 - Recommended temperature setting for optimised food storage (°C):

Compartment 1 - Freezing capacity (kg/24h): NA

Compartment 1 - Defrosting type: A

Compartment 1 - Target temperature (°C):

Compartment 1 - Thermodynamic parameter (rc): NA

Compartment 1 - Nc: NA

Compartment 1 - Mc: NA

Compartment 1 - Defrost factor (Ac): NA

Compartment 1 - Built-in factor (Bc): NA

Compartment 2: 4 STARS

Compartment 2 - Compartment Volume (l): 195

Compartment 2 - Recommended temperature setting for optimised food storage (°C):

Compartment 2 - Freezing capacity (kg/24h): 15

Compartment 2 - Defrosting type: A

Compartment 2 - Target temperature (°C):

Compartment 2 - Thermodynamic parameter (rc): NA

Compartment 2 - Nc: NA

Compartment 2 - Mc: NA

Compartment 2 - Defrost factor (Ac): NA

Compartment 2 - Built-in factor (Bc): NA

Compartment 3: NA

Compartment 3 - Compartment Volume (l): NA

Compartment 3 - Recommended temperature setting for optimised food storage (°C):

Compartment 3 - Freezing capacity (kg/24h): NA

Compartment 3 - Defrosting type: NA

Compartment 3 - Target temperature (°C):

Compartment 3 - Thermodynamic parameter (rc): NA

Compartment 3 - Nc: NA

Compartment 3 - Mc: NA

Compartment 3 - Defrost factor (Ac): NA

Compartment 3 - Built-in factor (Bc): NA

Compartment 4: NA

Compartment 4 - Compartment Volume (l): NA

Compartment 4 - Recommended temperature setting for optimised food storage (°C):

Compartment 4 - Freezing capacity (kg/24h): NA

Compartment 4 - Defrosting type: NA

Compartment 4 - Target temperature (°C):

Compartment 4 - Thermodynamic parameter (rc): NA

Compartment 4 - Nc: NA

Compartment 4 - Mc: NA

Compartment 4 - Defrost factor (Ac): NA

Compartment 4 - Built-in factor (Bc): NA

Compartment 5 - Type: NA

Compartment 5 - Compartment Volume (l): NA

Compartment 5 - Recommended temperature setting for optimised food storage (°C):

Compartment 5 - Freezing capacity (kg/24h): NA

Compartment 5 - Defrosting type: NA

Compartment 5 - Target temperature (°C):

Compartment 5 - Thermodynamic parameter (rc): NA

Compartment 5 - Nc: NA

Compartment 5 - Mc: NA

Compartment 5 - Defrost factor (Ac): NA

Compartment 5 - Built-in factor (Bc): NA

Light source parameters

Light source - Type of light source: LED

Light source - Energy efficiency class: NA

Minimum duration of the guarantee offered by the manufacturer (b):

Additional information:

Weblink to the manufacturer's website, where the information in point 4(a) Annex of Commission Regulation (EU) 2019/2019 (1) (b) is found:

(a) as determined in accordance with Commission Delegated Regulation (EU) 2019/2015 (2).

(b) changes to these items shall not be considered relevant for the purposes of point 4 of Article 4 of Regulation (EU) 2017/1369.

(c) if the product database automatically generates the definitive content of this cell the supplier shall not enter these data.

(1) Commission Regulation (EU) 2019/2019 of 1 October 2019 laying down ecodesign requirements for refrigerating appliances pursuant to Directive 2009/125/EC of the European Parliament and of the Council and repealing Commission Regulation (EC) No 643/2009 (see page 187 of this Official Journal).(2)

(2) Commission Delegated Regulation (EU) 2019/2015 of 11 March 2019 supplementing Regulation (EU) 2017/1369 of the European Parliament and of the Council with regard to energy labelling of light sources and repealing Commission Delegated Regulation (EU) No 874/2012 (see page 68 of this Official Journal).



RMF 77920 SS EU

ENERGY LABEL

