



**CLC 855 GM** Built-in Coffee Maker with 30 programs and 15 bar pressure



Fingerprint-  
Proof



Coffee beans



Ground coffee

**DESCRIPTION**

Built-in Coffee Maker with 30 programs and 15 bar pressure

**LIFE STYLE**

Maestro

**COLOURS**



**REFERENCE**

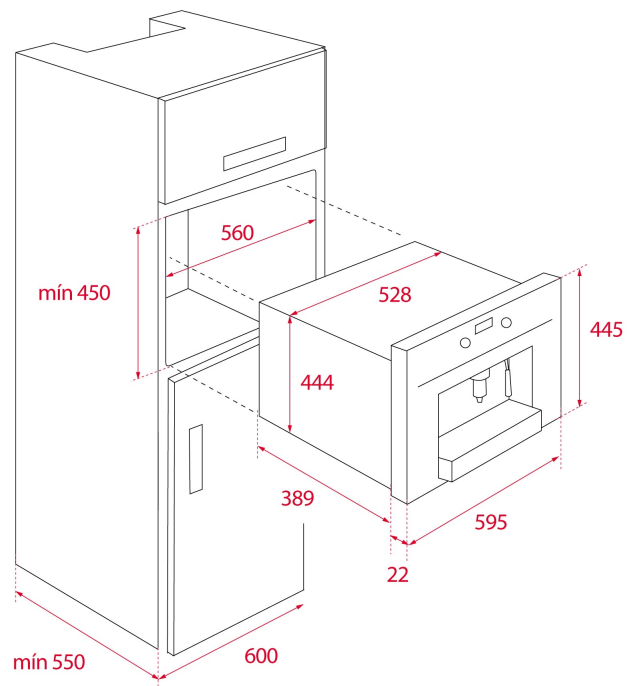
REF. 111630004  
EAN. 8434778010541

**FEATURES**

Urban colors Edition  
Automatic built-in coffee machine  
Self-cleaning function  
Intensity, temperature and coffee quantity regulation  
Electronic control display  
Telescopic rails for an easy pull out of the coffee maker  
30 automatic programs  
Automatic LED lights  
Capacity: 2 cups at once  
Easy removable container for coffee grounds  
15 bar pump pressure  
Adjustable coffee, steam, and hot water pipes  
Integrated steel grinder for natural coffee beans (13 different ground positions)  
Coffee beans container, 200 gr capacity  
Pre-grounded coffee container  
1,8 litres water tank  
Automatic decalcifier

## DIMENSIONS

**Product height (mm):** 455  
**Product width (mm):** 595  
**Product depth (mm):** 412  
**Product length (mm):**  
**Net weight (Kg):** 23



## TECH SPECS

### FITTING MEASURES

**Built-in Width (mm):** 560  
**Built-in Depth (mm):** 550  
**Built-in Height (mm):** 450

### PARTICULAR CHARACTERISTICS

**Type of installation:** Built-in  
**Pump pressure (Bar):** 15  
**Pump power (W):** 50  
**Control panel:** Electronic  
**Fingerprint proof:** Yes  
**Number of programs:** 30  
**Number of cups:** 2  
**Adjustable coffee dispenser:** Yes  
**Rectable pipe for Steam and Hot Water:** Yes  
**Grinded coffee:** Yes  
**On/Off function:** Yes  
**Steamer:** Yes  
**Hot Water:** Yes  
**Clock (option in menu):** Yes  
**Descaling (option in menu):** Yes  
**Coffee temperature (option in menu):** Yes  
**Selected function indicator:** Yes  
**Full water tank indicator:** Yes  
**Ground too fine, adjust mill indicator:** Yes

**Lack of coffee beans indicator:** Yes  
**Empty coffee drawer indicator:** Yes  
**Insert coffee drawer (missing) indicator:** Yes  
**Generic Alarm:** Yes

