



# SteakMaster Multifunction Pyrolytic oven with special Grill and Cast iron grid for Steaks



DualClean



Plus Extension  
Telescopic  
Guide



HydroClean



Pyrolysis



SoftClose



SurroundTemp

## DESCRIPTION

Multifunction Pyrolytic oven with special Grill and Cast iron grid for Steaks

## LIFE STYLE

Maestro

## COLOURS



## REFERENCE

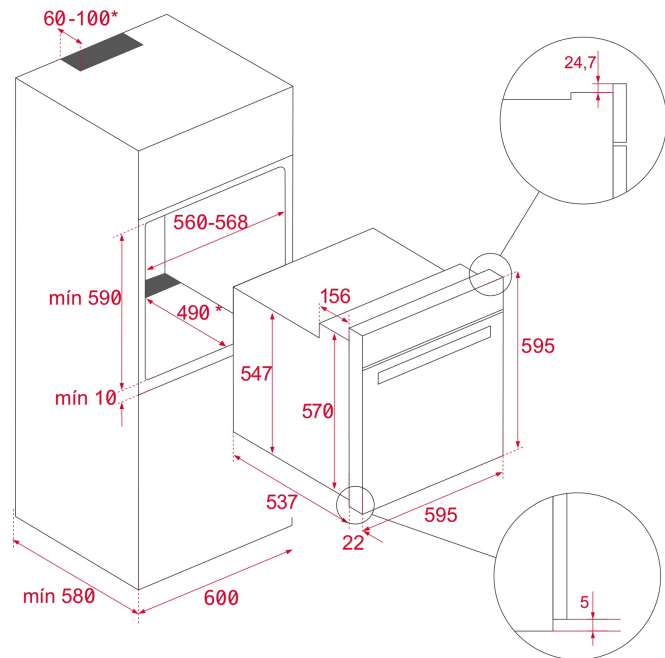
REF. 111000036  
EAN. 8434778012576



## SteakMaster

### FEATURES

SteakMaster oven  
Urban Colors Edition  
Multifunction SurroundTemp oven  
13 cooking functions  
Powerful SteakGrill (700°C)  
Pyrolysis self-cleaning system and automatic HydroClean system  
Touch control display with knobs  
Electronic timer (Delay/Start function)  
20 automatic programs for meat  
Chrome supports with 5 cooking levels  
Plus Extension Telescopic guides  
Removable quadruple glazed door  
SoftClose system  
Automatic disconnection security system  
Children safety lock  
Automatic quick preheating  
Anti-tip deep tray and reinforced grid  
Special cast iron grid for steaks included  
Capacity (gross/net): 71 / 63 litres



## DIMENSIONS

**Product height (mm):** 595

**Product width (mm):** 595

**Product depth (mm):** 537+22

**Product length (mm):**

**Net weight (Kg):** 45,8

## TECH SPECS

### FEATURES

**Certificates:** N / CE / CCA / CB / EAC

**Number of cavities:** 1

**Type of inner light:** Halogen

**Inside light position:** Left-Right TOP CORNER

**Enamelled cavity:** Yes

**Min. Temperature Regulator (°C):** 30

**Max. Temperature Regulator (°C):** 250

**Function selector:** ELECTRONIC

**Number of cooking functions:** 13

**Number of recipes:** 20

**Top + Bottom function:** Yes

**Grill + Bottom function:** Yes

**Grill function:** Yes

**MaxiGrill function:** Yes

**Top + Bottom + Fan function:** Yes

**Bottom function:** Yes

**Bottom + TURBO (Pizza) function:** Yes

**Turbo function:** Yes

**ECO function:** Yes

**Ferment function:** Yes

**Automatic quick heating:** Yes

**Slow Cook:** Yes

**Knobs type:** MMX FIX ROTATIVE SS  
**Ring illuminated:** Yes  
**Removable chromed tray guides:** Yes  
**Number of guide levels:** 5  
**Easy slide telescopic guides:** Yes  
**SoftClose:** Yes

## **ELECTRIC CONNECTION**

**Maximum Nominal Power (W):** 3518  
**Frequency (Hz):** 50/60  
**Power rate (V):** 220-240  
**Cable Connection Length (cm):** 150  
**Plug:** Yes  
**Inside light Consumption (W):** 2x25

## **ENERGY CONSUMPTION**

**Energy consumption per cycle in conventional mode (kWh):**  
1.01  
**Energy consumption per cycle in fan-forced convection mode (kWh):** 0,77  
**Bottom Heating Element (W):** 1050  
**Grill (W):** 2400  
**Maxi Grill (W):** 3450  
**Traditional (W):** 2100  
**Turbo (W):** 2000  
**Multifunction Turbo (W):** 25  
**Cooling Fan Motor (W):** 30

## **SAFETY SYSTEMS**

**Automatic disconnection when opening the door:** Yes  
**Panel blocking system:** Yes  
**Children safety block option:** Yes  
**Grill protection:** Yes  
**Anti-tip tray system:** Yes  
**Safety Thermostat:** Yes

## **CLEANING SYSTEM**

**Crystal Clean Enamel (Slippery):** Yes  
**Hydroclean PRO:** Yes  
**Pyrolytic:** Yes  
**DualClean:** Yes

## **ACCESSORIES**

**Deep Tray (50 mm):** 1  
**Cast iron tray:** 1  
**Reinforced grid:** 1

## **ENERGY EFFICIENCY**

**Energy Efficiency Class:** A  
**Energy Efficiency Index (EEI):** 95

