



IZF 99700 MST BK 90cm DirectSense with FullFlex Induction with temperature sensors and RiceCooker function



MultiSlider



Autolock



Power



Power Plus



Easy
installation



Flex

DESCRIPTION

90cm DirectSense with FullFlex Induction with temperature sensors and RiceCooker function

LIFE STYLE

Maestro

COLOURS

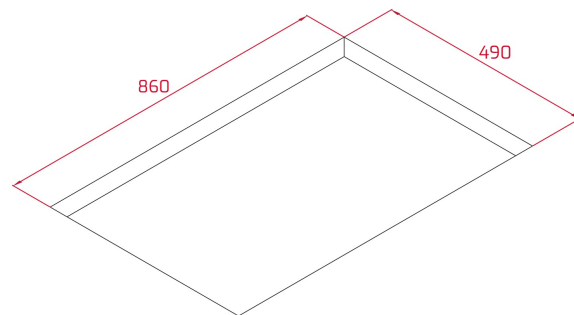
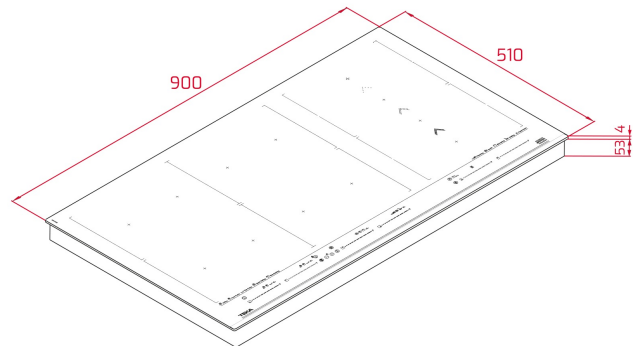


REFERENCE

REF. 112500031
EAN. 8434778011876

FEATURES

Urban Colors Edition
MasterSense Series
FullFlex Induction hob
SlideCooking Function
Direct functions with temperature sensors: Rice cooking, confit, keep warm, poaching, grilling, pan frying, deep frying, quick boiling, simmering and melting
Touch Control MultiSlider
6 cooking zones
6 zone Ø 262,5 X 195 mm
Ceramic glass surface
Auto-lock safety system
Cooking timer
Power plus Child lock
Residual heat indicator
Power management
Easy installation kit
Maximum nominal power 11.100 W

TEKA**IZF 99700 MST BK**

DIMENSIONS

Product height (mm): 57
Product width (mm): 900
Product depth (mm): 510
Product length (mm):
Net weight (Kg): 20

TECH SPECS

FITTING MEASURES

Built-in Width (mm): 860
Built-in Depth (mm): 490
Built-in height (mm): 53

FEATURES

Number of electric power levels: 9
Grilling: Yes
Pan frying: Yes
Deep frying: Yes
Simmering: Yes
Melting: Yes
Keeping warm: Yes
Confit: Yes
Poach: Yes
Rice Cook: Yes
Low-temp Function: Yes
Power management function: Yes

ELECTRIC CONNECTION

Maximum Nominal Power (W): 11100
Frequency (Hz): 50/60

Power rate (V): 220-240
Cable Connection Length (cm): 110
Maximum Nominal Power (W) (Electric hob): 11100

COOKING ZONES

Cooking Zones: 6

SAFETY SYSTEMS

Residual heat indicator (Electric hob): Yes
Automatic safety disconnection (Auto Lock) (Electric hob): Yes
Child lock: Yes

FINISH

Surface finishing: Front bevelled glass
Surface type: Ceramic Glass (4mm)
Easy installation system: Yes

ACCESSORIES

Junction Kit: Optional
Teppan Yaki: Optional

