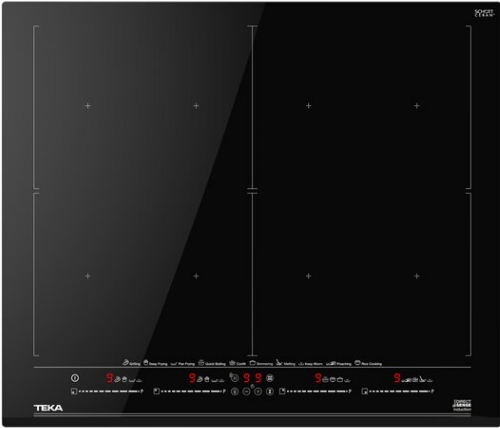




# DirectSense IZF 68700 MST 60cm DirectSense with FullFlex Induction with temperature sensors



MultiSlider



Autolock



Power



Power Plus



Easy installation

## DESCRIPTION

60cm DirectSense with FullFlex Induction with temperature sensors

## LIFE STYLE

Maestro

## COLOURS

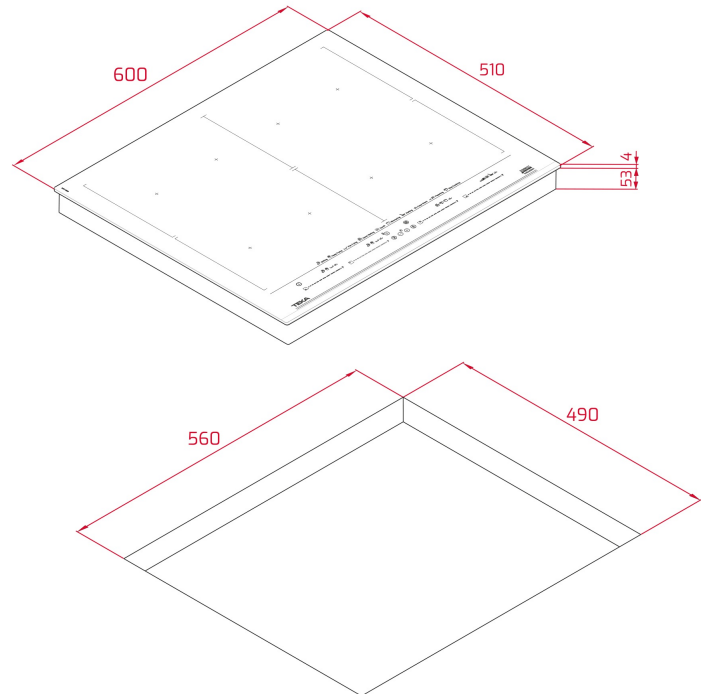


## REFERENCE

REF. 112500037  
EAN. 8434778016208

**FEATURES**

Urban Colors Edition  
MasterSense Series  
FullFlex Induction hob  
Direct functions with temperature sensors: Rice cooking, confit, poaching, grilling, pan frying, deep frying, quick boiling, keep warm, simmering and melting.  
Touch Control MultiSlider  
4 cooking zones  
4 zones Ø 262,5 X 195 mm  
Ceramic glass surface  
Auto-lock safety system  
Cooking timer  
Power plus  
Child lock  
Residual heat indicator  
Power management  
Easy installation kit  
Maximum nominal power 7400 W  
Optional: Grilling plate  
Optional: Teppanyaki



## DIMENSIONS

**Product height (mm):** 57  
**Product width (mm):** 600  
**Product depth (mm):** 510  
**Product length (mm):**  
**Net weight (Kg):** 13,21

## TECH SPECS

### FITTING MEASURES

**Built-in Width (mm):** 560  
**Built-in Depth (mm):** 490  
**Built-in height (mm):** 53

### PARTICULAR CHARACTERISTICS

**Number of electric power levels:** 9  
**Grilling:** Yes  
**Pan frying:** Yes  
**Deep frying:** Yes  
**Simmering:** Yes  
**Melting:** Yes  
**Keeping warm:** Yes  
**Confit:** Yes  
**Poach:** Yes  
**Rice Cook:** Yes  
**Low-temp Function:** Yes  
**Power management function:** Yes

### ELECTRIC CONNECTION

**Frequency (Hz):** 50/60  
**Power rate (V):** 220-240

**Cable Connection Length (cm):** 110  
**Maximum Nominal Power (W) (Electric hob):** 7400

**COOKING ZONES**

**Cooking Zones:** 4

**SECURITY SYSTEM**

**Residual heat indicator (Electric hob):** Yes  
**Automatic safety disconnection (Auto Lock) (Electric hob):** Yes  
**Child lock:** Yes

**FINISH**

**Surface finishing:** Front bevelled glass  
**Surface type:** Ceramic Glass (4mm)  
**Easy installation system:** Yes

**ACCESSORIES**

**Junction Kit:** Optional  
**Teppan Yaki:** Optional

