



# AirFry HSB 646 Multifunction SurroundTemp Oven with special AirFry function



70L



Plus Extension  
Telescopic  
Guide



HydroClean



SurroundTemp

**DESCRIPTION**

Multifunction SurroundTemp Oven with special AirFry function

**LIFE STYLE**

Total

**COLOURS**



**REFERENCE**

REF. 111010024  
EAN. 8434778017410

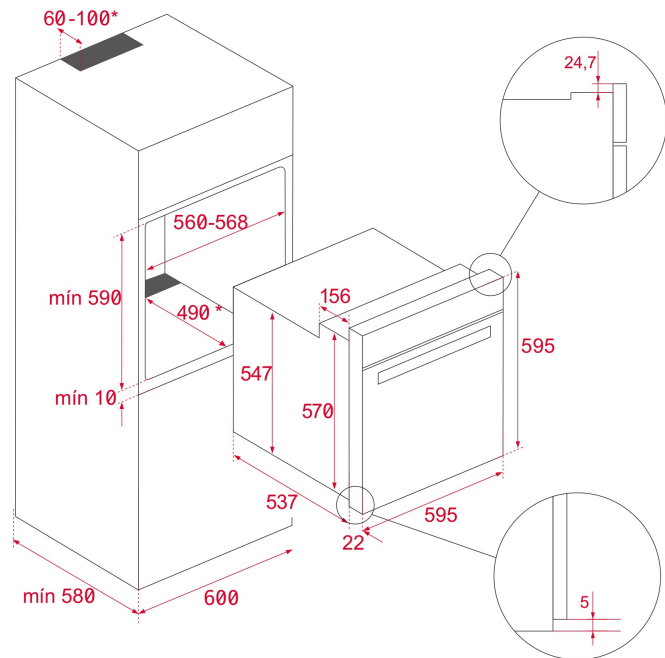


**TEKA**

## **AirFry HSB 646**

### **FEATURES**

AirFry oven  
Multifunction SurroundTemp oven  
9 cooking functions  
Special FryMaster Box to cook without oil  
Automatic HydroClean system  
Touch control display with knobs  
Electronic timer(Delay/Start function)  
Chrome supports with 5 cooking levels  
Plus Extension Telescopic guides  
Removable double glazed door  
Children safety lock  
Manual quick preheating  
Anti-tip deep and baking trays  
Capacity (gross/net): 71 / 70 litres



## DIMENSIONS

**Product height (mm):** 595

**Product width (mm):** 595

**Product depth (mm):** 537+22

**Product length (mm):**

**Net weight (Kg):** 28

## TECH SPECS

### FEATURES

**Number of cavities:** 1  
**Type of inner light:** Halogen  
**Inside light position:** RIGHT TOP CORNER  
**Enamelled cavity:** Yes  
**Min. Temperature Regulator (°C):** 50  
**Max. Temperature Regulator (°C):** 250  
**Function selector:** 11+0  
**Number of cooking functions:** 9  
**Top + Bottom function:** Yes  
**Grill function:** Yes  
**MaxiGrill function:** Yes  
**MaxiGrill + Fan function:** Yes  
**Bottom function:** Yes  
**Bottom + TURBO (Pizza) function:** Yes  
**Turbo function:** Yes  
**ECO function:** Yes  
**Mechanical quick heating:** Yes  
**Touch Control Programmer:** Yes  
**Knobs type:** MMX FIX knurling  
**Removable chromed tray guides:** Yes  
**Number of guide levels:** 5  
**Easy slide telescopic guides:** Yes

## **ELECTRIC CONNECTION**

**Maximum Nominal Power (W):** 3215  
**Frequency (Hz):** 50/60  
**Power rate (V):** 220-240  
**Cable Connection Length (cm):** 150  
**Plug:** Yes  
**Inside light Consumption (W):** 25

## **ENERGY CONSUMPTION**

**Energy consumption per cycle in conventional mode (kWh):**  
0.81  
**Energy consumption per cycle in fan-forced convection mode (kWh):** 0,68  
**Bottom Heating Element (W):** 1150  
**Grill (W):** 1400  
**Maxi Grill (W):** 2500  
**Traditional (W):** 2550  
**Turbo (W):** 2000  
**Multifunction Turbo (W):** 22  
**Cooling Fan Motor (W):** 18

## **SAFETY SYSTEMS**

**Panel blocking system:** Yes  
**Grill protection:** Yes  
**Anti-tip tray system:** Yes  
**Safety Thermostat:** Yes

## **CLEANING SYSTEM**

**Fingerprint proof stainless steel:** Yes  
**Crystal Clean Enamel (Slippery):** Yes  
**Hydroclean PRO:** Yes

## **ACCESSORIES**

**Baking Tray:** 1  
**Deep Tray (50 mm):** 1  
**Standard grid:** 1

## **ENERGY EFFICIENCY**

**Energy Efficiency Class:** A+  
**Energy Efficiency Index (EEI):** 81



# AirFry HSB 646

## ENERGY LABEL

The energy label for the TEKA HSB 646 Air Fryer features the following information:

- Brand and Model:** Teka HSB 646
- Energy Efficiency Class:** A+ (indicated by a black arrow pointing to the A+ bar on the scale)
- Energy Scale:** A+++ (dark green), A++ (green), A+ (light green), A (yellow), B (orange), C (red-orange), D (red)
- Volume:** 70 L (indicated by a laptop icon)
- Energy Consumption (per cycle):** 0.81 kWh/cycle\* (indicated by a square icon) and 0.68 kWh/cycle\* (indicated by a fan icon)
- Footnote:** \* цуква - cycle; portion - zylkas; porbyrpaqar - ciclo; tashikal - objelma; ciklas ciklas - cikla; cikla - cyklas; cykl - ciclo; program - yekel
- Standard Reference:** 65/2014