



HLB 850 A+ Multifunction Oven with HydroClean® PRO cleaning system



70L



Plus Extension
Telescopic
Guide



HydroClean



SoftClose



SurroundTemp

DESCRIPTION

A+ Multifunction Oven with HydroClean® PRO cleaning system

LIFE STYLE

Maestro

COLOURS



REFERENCE

REF. 41560290
EAN. 8421152154526

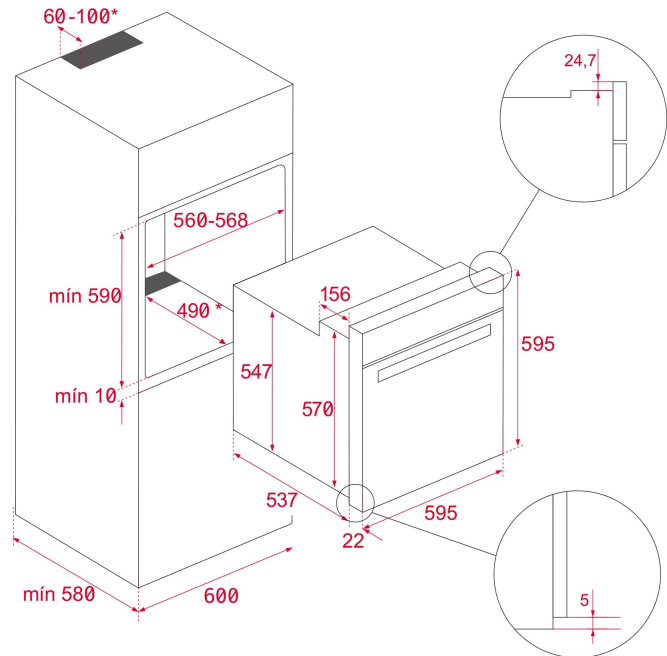


TEKA

HLB 850

FEATURES

Multifunction SurroundTemp oven
9 cooking functions
Automatic HydroClean system
Mechanical control knobs
Electronic timer
Chrome supports with 5 cooking levels
Easy slide telescopic guides
Removable triple glazed door
SoftClose system
Manual quick preheating
Anti-tip deep tray and reinforced grid
Capacity (gross/net): 71 / 70 litres



DIMENSIONS

Product height (mm): 595
Product width (mm): 595
Product depth (mm): 537+22
Product length (mm):
Net weight (Kg): 28

TECH SPECS

FEATURES

Certificates: N / CE / CCA / CB/SASO
Number of cavities: 1
Type of inner light: Halogen
Inside light position: RIGHT TOP CORNER
Enamelled cavity: Yes
Min. Temperature Regulator (°C): 50
Max. Temperature Regulator (°C): 250
Function selector: 11+0
Number of cooking functions: 9
Top + Bottom function: Yes
Grill function: Yes
MaxiGrill function: Yes
MaxiGrill + Fan function: Yes
Bottom function: Yes
Bottom + TURBO (Pizza) function: Yes
Turbo function: Yes
ECO function: Yes
Mechanical quick heating: Yes
Touch Control Programmer: Yes
Knobs type: MMX FIX knurling printed
Removable chromed tray guides: Yes
Number of guide levels: 5

Easy slide telescopic guides: Yes

Drop-down grill: Yes

SoftClose: Yes

ELECTRIC CONNECTION

Maximum Nominal Power (W): 3215

Frequency (Hz): 50/60

Power rate (V): 220-240

Cable Connection Length (cm): 150

Plug: Yes

Inside light Consumption (W): 25

ENERGY CONSUMPTION

Energy consumption per cycle in conventional mode (kWh):
0.81

Energy consumption per cycle in fan-forced convection mode (kWh): 0,68

Bottom Heating Element (W): 1150

Grill (W): 1400

Maxi Grill (W): 2500

Traditional (W): 2550

Turbo (W): 2000

Multifunction Turbo (W): 22

Cooling Fan Motor (W): 18

SAFETY SYSTEMS

Panel blocking system: Yes

Grill protection: Yes

Anti-tip tray system: Yes

Safety Thermostat: Yes

CLEANING SYSTEM

Crystal Clean Enamel (Slippery): Yes

Hydroclean PRO: Yes

ACCESSORIES

Baking Tray: 1

Deep Tray (50 mm): 1

Reinforced grid: 1

ENERGY EFFICIENCY

Energy Efficiency Class: A+

Energy Efficiency Index (EEI): 81



HLB 850

ENERGY LABEL

The energy label for the TEKA HLB 850 is a rectangular sticker with a blue border. At the top left is the European Union flag. To its right is the word "ENERG" in large blue letters, with "енергия - енергетика" in smaller text below it. Further right are two circular icons: one with "Y" and "UA" and another with "IE" and "IA". Below this header is the TEKA logo and the model number "HLB 850". The central part of the label features a vertical scale of energy efficiency classes from A+++ (green) at the top to D (red) at the bottom. A black arrow points to the A+ class. To the left of the scale is a small icon of a washing machine. Below the scale, there are two boxes: the first shows a washing machine icon and "70 L"; the second shows a washing machine icon and "0.68 kWh/cycle*". To the right of these boxes, there is another box with a washing machine icon and "0.87 kWh/cycle*". At the bottom of the label, there is a small line of text in multiple languages and the date "65/2014".