



MWE 225 FI 20L Built-in Microwave + Grill



Defrost By
Time



Defrost By
Weight



Direct Access
Menu



20L

DESCRIPTION

20L Built-in Microwave + Grill

LIFE STYLE

Total

COLOURS



REFERENCE

REF. 40581515
EAN. 8421152127247

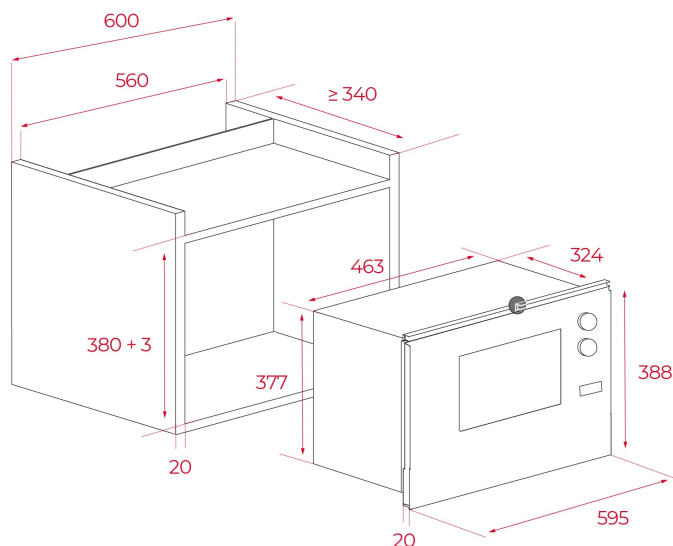


TEKA

MWE 225 FI

FEATURES

Built-in Microwave + Grill
3 cooking functions
8 direct access menus
5 power levels, 1250 W
Grill power: 1000 W
Defrost by time and weight
Touch control display with knobs and minute minder
Double glazed door with right opening
Children safety lock
LED inner light
Stainless steel (fingerprint proof)
Quick start
Capacity (gross/net): 20,31 / 20 litres
Stainless steel cavity



DIMENSIONS

Product height (mm): 340

Product width (mm): 463

Product depth (mm): 343

Product length (mm):

Net weight (Kg): 15,0

TECH SPECS

PARTICULAR CHARACTERISITICS

Certificates: GS / EMC

Number of cooking functions: 3

Grill function: Yes

Minute Minder: Yes

Number of guide levels (lower cavity): 0

Microwave function: Yes

Microwave + Grill function: Yes

Number of power levels: 5

Seconds Quick Start: Yes

ELECTRIC CONNECTION

Maximum Nominal Power (W): 1250

Frequency (Hz): 50

Power rate (V): 230

Inside light Consumption (W): 20

ENERGY CONSUMPTION

Grill (W): 1000

Turbo (W): 0

SECURITY SYSTEM

Children safety block option: Yes
Safety Thermostat: Yes

CLEANING SYSTEM

Fingerprint proof stainless steel: Yes

ACCESSORIES

Glass Tray: 1
Crunch plate: 0

