



MB 620 BI 20L Built-in Mechanical Microwave



Defrost By
Time

DESCRIPTION

20L Built-in Mechanical Microwave

LIFE STYLE

Easy

COLOURS



REFERENCE

REF. 40584000
EAN. 8421152145593

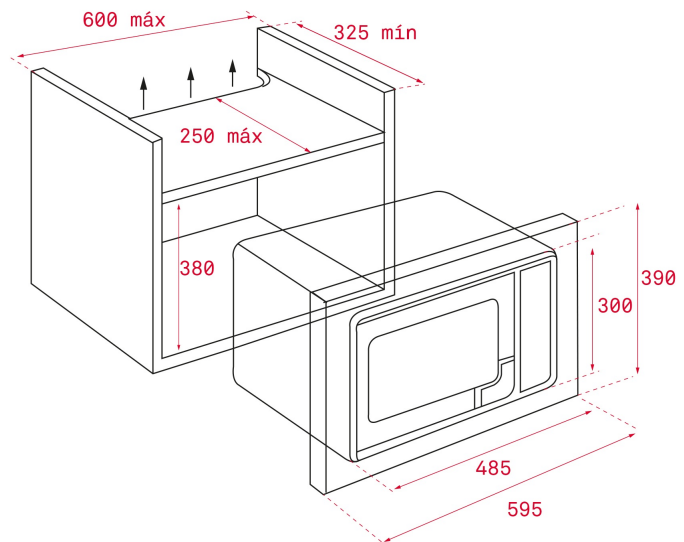


TEKA

MB 620 BI

FEATURES

Built-in Microwave
1 cooking function
5 power levels, 1200 W
Defrost by time
Mechanical control knobs
Double glazed door with left opening
Automatic disconnection when open door
Stainless steel (fingerprint proof)
Capacity (gross/net): 18 / 20 litres
Stainless steel cavity



DIMENSIONS

Product height (mm): 390
Product width (mm): 595
Product depth (mm): 325
Product length (mm):
Net weight (Kg): 18,6

TECH SPECS

PARTICULAR CHARACTERISTICS

Certificates: CE/CB
Number of cooking functions: 1
Number of guide levels (lower cavity): 0
Microwave function: Yes
Number of power levels: 5

ELECTRIC CONNECTION

Maximum Nominal Power (W): 1200
Frequency (Hz): 50
Power rate (V): 220 - 240
Cable Connection Length (cm): 110
Plug: Yes

SECURITY SYSTEM

Automatic disconnection when opening the door: Yes
Safety Thermostat: Yes

CLEANING SYSTEM

Fingerprint proof stainless steel: Yes

