



MWR 22 BI Built-in microwave with ceramic base of 22 liters



Defrost By
Time



Electronic Door
Opening



22L

DESCRIPTION

Built-in microwave with ceramic base of 22 liters

LIFE STYLE

Total

COLOURS



REFERENCE

REF. 112040001
EAN. 8434778008852



TEKA

MWR 22 BI

FEATURES

Country Style Edition
Built-in Microwave
Ceramic base with uniform heating
1 cooking function
5 power levels, 1400 W
Defrost by time
Mechanical control knobs
Double glazed door with left opening
Electronic door opening
Automatic disconnection when open door
Incandescent inner light
Capacity (gross/net): 22 / 21,56 litres
Stainless steel cavity
Tangential ventilation

DIMENSIONS

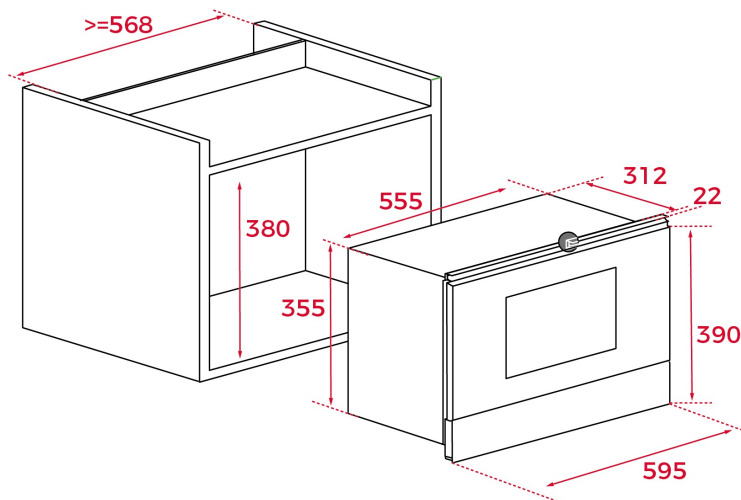
Product height (mm): 380/390

Product width (mm): 595

Product depth (mm): 334

Product length (mm):

Net weight (Kg): 21,6



TECH SPECS

PARTICULAR CHARACTERISTICS

Certificates: CE; CB; EAC

Type of inner light: Incandescent

Inside light position: RIGHT

Function selector: MECHANICAL

Number of cooking functions: 1

Knobs type: 2 ROTATING MECHANICAL

Forced refrigeration tangential 1 speed: Yes

Microwave function: Yes

Microwave defrosting: Yes

Number of power levels: 5

Tangential ventilation: Yes

ELECTRIC CONNECTION

Maximum Nominal Power (W): 1400

Frequency (Hz): 50

Power rate (V): 220-240

Cable Connection Length (cm): 150

Plug: Yes

Inside light Consumption (W): 20

ENERGY CONSUMPTION

Cooling Fan Motor (W): 18

SECURITY SYSTEM

Automatic disconnection when opening the door: Yes

Safety Thermostat: Yes

