



MN Single lever kitchen tap with high and swivel spout



Anti-scale
aerator



Swivel spout

DESCRIPTION

Single lever kitchen tap with high and swivel spout

COLOURS



REFERENCE

REF. 8191462
EAN. 8421152749197



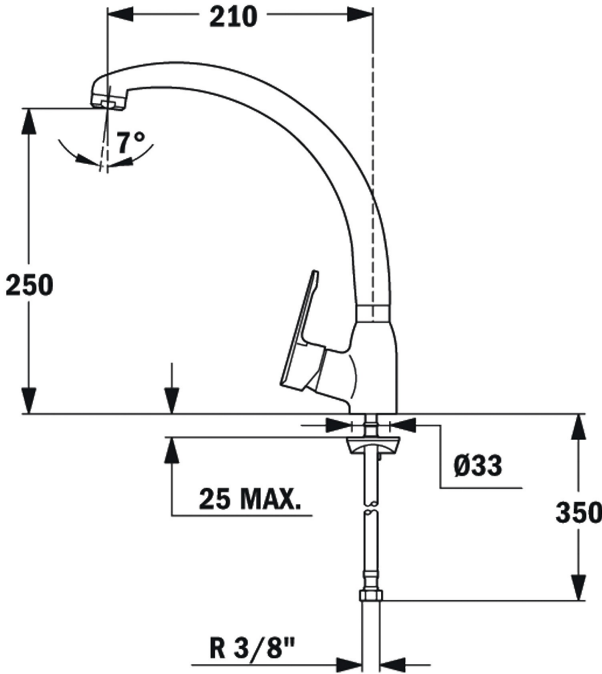
MN

FEATURES

High spout kitchen tap
Swivel spout
Anti-scale aerator
Cartridge with ceramic discs of high resistance
Highly precise temperature control
Greater handling sensitivity with smoother movements
3/8" flexible inlet pipes



MN



DIMENSIONS

- Product height (mm):
- Product width (mm):
- Product depth (mm):
- Product length (mm):
- Net weight (Kg): 1,52

TECHNICAL DETAILS

MODELS

Type of installation: Free standing

