



HydroClean
steam
cleaning
system



SoftClose



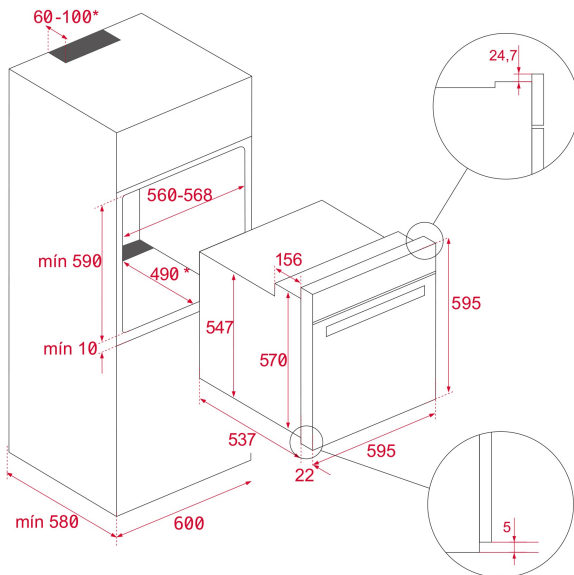
Plus
extension
guides:
75%
extraction



Pyrolysis
cleaning
system



SurroundTemp



REFERENCE

REF: 111000037

EAN: 8434778012583

FEATURES

SteakMaster Oven with SteakGrill (700^o)
 Pyrolytic Multifunction SurroundTemp
 3 pyrolytic cleaning cycles
 HydroClean® PRO cleaning system
 Enamel Slippery
 A Energy class: up to 20% less consumption
 Capacity, gross/net: 71/63 litres
 TFT 4" true color Touch control
 LED illuminated ring knob
 20 automatic programs for meat
 Personal cook assistant: 20 international programmed recipes
 Automatic Express preheating
 SlowCook: low temperature cooking
 Pizza, ferment, defrosting & ECO functions
 Children safety block, timer and door
 Automatic disconnection security system
 4 removable glazed door
 SoftClose door with autolock
 Full glass inner door
 Plus + Full Extension telescopic guides easy slide
 Special cast iron grid for Steaks
 Anti-tip deep tray and reinforced grid
 Tangential ventilation Plus with 2 speeds
 Optional The SteamBox and cast aluminium tray

DIMENSIONS

Product height (mm): 595

Product width (mm): 595

Product depth (mm): 537+22

Product length (mm):

Net weight (Kg): 45,8

TECHNICAL DETAILS

Energy Efficiency Class: A

Power rate (V): 220-240

Frequency (Hz): 50/60

Maximum Nominal Power (W): 3518

COLOURS



111000037

Black glass



111000026

Black Glass with StainlessSteel frame