



# ML 825 TFL 25L Built-in Microwave with Grill



Defrost By  
Time



Defrost By  
Weight



Direct Access  
Menu



Electronic Door  
Opening

## DESCRIPTION

25L Built-in Microwave with Grill

## LIFE STYLE

Maestro

## COLOURS



## REFERENCE

REF. 40590640  
EAN. 8421152149188

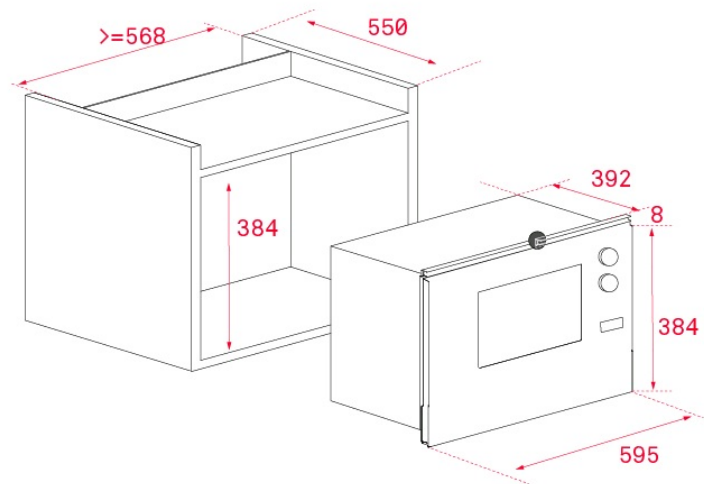


**TEKA**

**ML 825 TFL**

**FEATURES**

Microwave + grill  
Touch Control panel with LED display  
Drop down maxi grill, 1.000 W  
Five power levels, 900 W  
Total gross capacity : 25 litres  
Stainless steel inner  
Full glass inner and outside door  
Quick start 30"  
Minute minder: 0 - 95 minutes  
Defrosting by weight and time  
8 direct access menus  
Children safety block  
Grill



## DIMENSIONS

**Product height (mm):** 382  
**Product width (mm):** 595  
**Product depth (mm):** 392  
**Product length (mm):**  
**Net weight (Kg):** 17,6

## TECH SPECS

### PARTICULAR CHARACTERISTICS

**Certificates:** CE; CB;  
**Number of cooking functions:** 3  
**Number of memories:** 2  
**Grill function:** Yes  
**Minute Minder:** Yes  
**Number of guide levels (lower cavity):** 0  
**Microwave function:** Yes  
**Number of power levels:** 5  
**Seconds Quick Start:** Yes

### ELECTRIC CONNECTION

**Maximum Nominal Power (W):** 1450  
**Frequency (Hz):** 50  
**Power rate (V):** 230  
**Cable Connection Length (cm):** 110  
**Inside light Consumption (W):** 25

### ENERGY CONSUMPTION

**Grill (W):** 1000  
**Turbo (W):** 0

**SECURITY SYSTEM**

**Automatic disconnection when opening the door:** Yes

**Children safety block option:** Yes

**Safety Thermostat:** Yes

**ACCESSORIES**

**Glass Tray:** 1

**Crunch plate:** 0

