



HLC 860 P 60cm Compact Pyrolytic Oven with Hydroclean®



DualClean



44L



HydroClean



Plus Extension
Telescopic
Guide



Pyrolysis



SurroundTemp

DESCRIPTION

60cm Compact Pyrolytic Oven with Hydroclean®

LIFE STYLE

Maestro

COLOURS

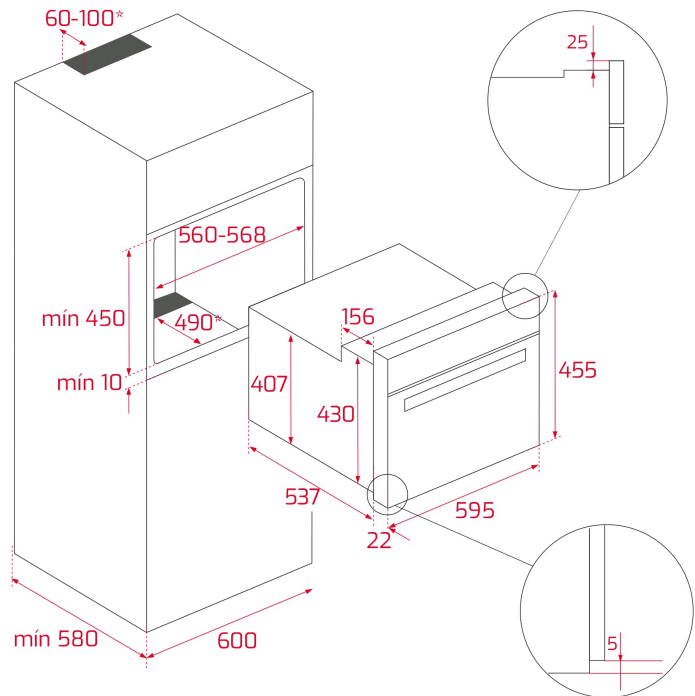


REFERENCE

REF. 41534020
EAN. 8421152148686

FEATURES

Pyrolytic Multifunction SurroundTemp
DualClean cleaning system:Pyrolytic sefl-cleaning (3 levels)
+HydroClean® PRO
Esmalte Slippery
A+ Energy class: up to 20% less consumption
Capacity: 45/44 litres (gross/net)
TFT 4" true color Touch control
LED illuminated ring knob
Personal cook assistant: 20 pre-programmed recipes
12 cooking functions
Automatic express preheating function
SlowCook function: low temperature cooking
Pizza, ferment, defrosting & ECO functions
Children safety block, Minute minder and door
Automatic disconnection security system
4 removable glazed door
Full glass inner door
Plus Extension telescopic guide easy slide
Anti-tip deep tray and reinforced grid
Tangential ventilation Plus with 2 speeds



DIMENSIONS

Product height (mm): 455

Product width (mm): 595

Product depth (mm): 537+22

Product length (mm):

Net weight (Kg): 29

TECH SPECS

PARTICULAR CHARACTERISTICS

Certificates: N / CE / CCA / CB / JAS-ANZ

Number of cavities: 1

Type of inner light: Halogen

Inside light position: RIGHT TOP CORNER

Enamelled cavity: Yes

Function selector: ELECTRONIC

Number of cooking functions: 12

Number of recipes: 20

Top function: Yes

Grill function: Yes

MaxiGrill function: Yes

Bottom function: Yes

Turbo function: Yes

ECO function: Yes

Ferment function: Yes

Automatic quick heating: Yes

Slow Cook: Yes

Knobs type: MMX FIX KNOB, ROTATIVE

Ring illuminated: Yes

Removable chromed tray guides: Yes

Number of guide levels: 3

Easy slide telescopic guides: Yes

ELECTRIC CONNECTION

Number of guide levels (lower cavity): 0

Maximum Nominal Power (W): 2915

Frequency (Hz): 50/60

Power rate (V): 220-240

Cable Connection Length (cm): 150

Plug: Yes

Inside light Consumption (W): 25

ENERGY CONSUMPTION

Energy consumption per cycle in conventional mode (kWh):
0.77

Energy consumption per cycle in fan-forced convection mode (kWh): 0,59

Bottom Heating Element (W): 1050

Grill (W): 1400

Maxi Grill (W): 2450

Traditional (W): 1050

Turbo (W): 1800

Multifunction Turbo (W): 22

Cooling Fan Motor (W): 30

SECURITY SYSTEM

Automatic disconnection when opening the door: Yes

Panel blocking system: Yes

Children safety block option: Yes

Grill protection: Yes

Anti-tip tray system: Yes

Safety Thermostat: Yes

Full glazed doors: 4

CLEANING SYSTEM

Crystal Clean Enamel (Slippery): Yes

Hydroclean PRO: Yes

Pyrolytic: Yes

DualClean: Yes

ACCESSORIES

Deep Tray (50 mm): 1

Reinforced grid: 1

ENERGY EFFICIENCY

Energy Efficiency Class: A+

Energy Efficiency Index (EEI): 80,8



HLC 860 P

ENERGY LABEL

