



HLF 940 90cm 9 Function Oven with Hydroclean®



77L



HydroClean



Full Extension
Telescopic
Guide



SurroundTemp

DESCRIPTION

90cm 9 Function Oven with Hydroclean®

LIFE STYLE

Maestro

COLOURS



REFERENCE

REF. 41592224
EAN. 8421152155059

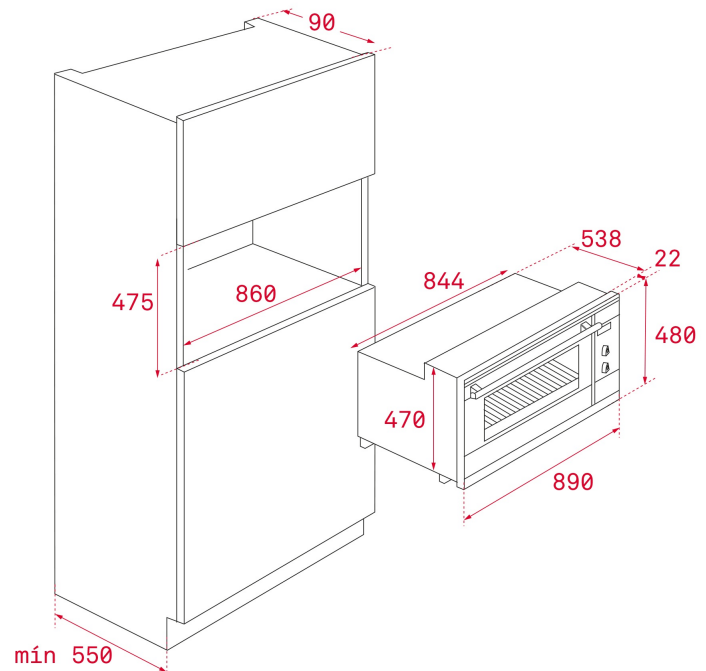


TEKA

HLF 940

FEATURES

Multifunction SurroundTemp
HydroClean® PRO cleaning system
Plus + Full Extension telescopic guides
Children safety block
Dynamic ventilation
Door three glasses
Anti-tip deep & baking trays and cooking grid



DIMENSIONS

Product height (mm): 480

Product width (mm): 890

Product depth (mm): 538+22

Product length (mm):

Net weight (Kg): 51

TECH SPECS

PARTICULAR CHARACTERISTICS

Certificates: N / CE / CCA / CB

Number of cavities: 1

Enamelled cavity: Yes

Function selector: 10+0

Number of cooking functions: 9

Top + Bottom function: Yes

Grill + Bottom function: Yes

Grill function: Yes

MaxiGrill function: Yes

Top + Bottom + Fan function: Yes

Bottom function: Yes

Bottom + TURBO (Pizza) function: Yes

Turbo function: Yes

Touch Control Programmer: Yes

Removable chromed tray guides: Yes

Number of guide levels: 5

Full extension telescopic guides: Yes

Drop-down grill: Yes

Forced refrigeration tangential 1 speed: Yes

Maximum Nominal Power (W): 3553

Frequency (Hz): 50/60

Power rate (V): 220-240

Cable Connection Length (cm): 180

Plug: Yes

Inside light Consumption (W): 25

ENERGY CONSUMPTION

Energy consumption per cycle in conventional mode (kWh): 1.1

Energy consumption per cycle in fan-forced convection mode (kWh): 0,86

Bottom Heating Element (W): 1055

Grill (W): 1700

Maxi Grill (W): 2750

Traditional (W): 2105

Turbo (W): 2400

Multifunction Turbo (W): 30

Cooling Fan Motor (W): 18

SECURITY SYSTEM

Automatic disconnection when opening the door: Yes

Panel blocking system: Yes

Children safety block option: Yes

Grill protection: Yes

Anti-tip tray system: Yes

Safety Thermostat: Yes

CLEANING SYSTEM

Crystal Clean Enamel (Slippery): Yes

Hydroclean PRO: Yes

ACCESSORIES

Baking Tray: 1

Deep Tray (50 mm): 1

Reinforced grid: 1



HLF 940

ENERGY LABEL

ENERG
енергия · ενέργεια

TEKA HLF 940

A+++
A++
A+
A
B
C
D

77 L

1.10 kWh/cycle*
0.86 kWh/cycle*

* класс - class - oclau - cyclus - cykl - oclu - program - cykel
65/2014