



CP 15 GS Built-in Warming Drawer



DESCRIPTION

Built-in Warming Drawer

LIFE STYLE

Maestro

COLOURS



REFERENCE

REF. 40589920
EAN. 8421152145623

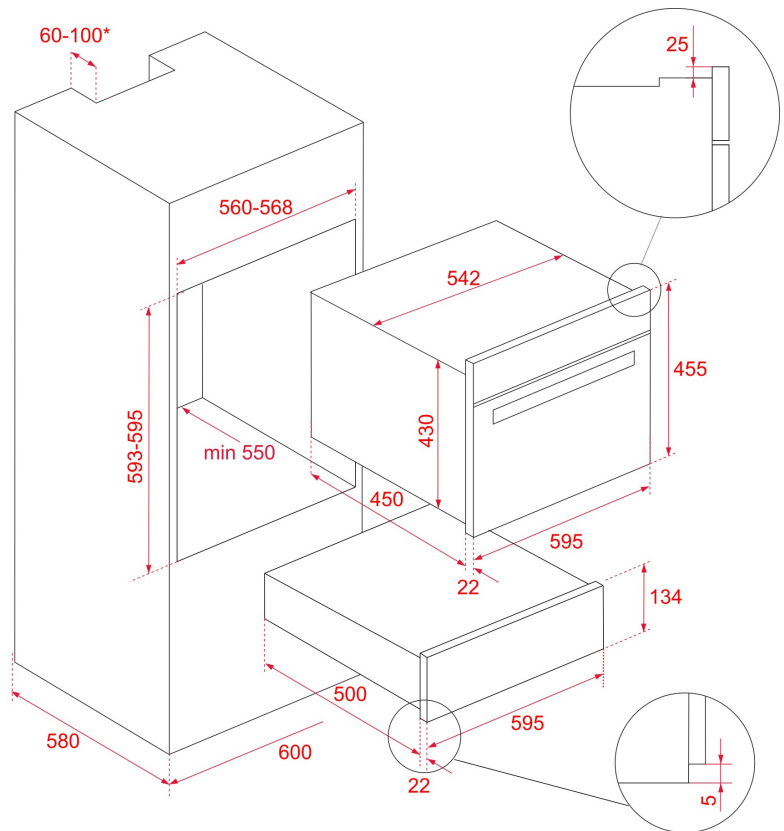


TEKA

CP 15 GS

FEATURES

Plate Warmer
Push-Pull Opening System
Telescopic Drawer With Anti-Sliding Material
6 Place Settings
10cm. Usable Height
Temperature Range 30°-80°C
Illuminated Switch On-Off Pilot
Max. Nominal Power : 430 W
To Combine With Compact Ovens & MWO



DIMENSIONS

Product height (mm): 140
Product width (mm): 595
Product depth (mm): 557
Product length (mm):
Net weight (Kg): 18

TECH SPECS

PARTICULAR CHARACTERISTICS

Certificates: CE; CB
Min. Temperature Regulator (°C): 30
Max. Temperature Regulator (°C): 80
Cold front: Yes

ELECTRIC CONNECTION

Maximum Nominal Power (W): 420
Frequency (Hz): 50-60
Cable Connection Length (cm): 110

SECURITY SYSTEM

Safety Thermostat: Yes

