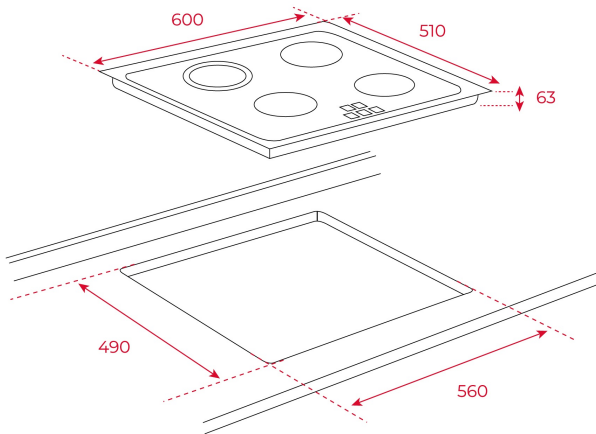


Autolock



Power Plus

Easy  
installation

## REFERENCE

REF: 40239011

EAN: 8421152148150

## FEATURES

Vitreoceramic hob  
 Touch Control  
 3 cooking zones  
 1 high lights Ø 210/270 mm  
 1 high lights Ø 120/180 mm  
 1 high lights Ø 145 mm  
 Ceramic glass surface  
 Auto-lock safety system  
 Power plus  
 Child lock  
 Residual heat indicator  
 Easy installation kit  
 Maximum nominal power 5600 W  
 Optional: Grilling plate  
 Optional: Teppanyaki

## DIMENSIONS

**Product height (mm):** 51

**Product width (mm):** 605

**Product depth (mm):** 515

**Product length (mm):**

**Net weight (Kg):** 8,7

## TECHNICAL DETAILS

Power rate (V): 220-240

Frequency (Hz): 50/60

Maximum Nominal Power (W): -

## COLOURS



40239011

Black glass

## ENERGY EFFICIENCY

Power consumption in standby mode (W): -

Time to reach standby mode (min): -