



**DW8 45 S** Built-in Dishwasher with 4 washing programs in 45cm



Eco Function

**DESCRIPTION**

Built-in Dishwasher with 4 washing programs in 45cm

**LIFE STYLE**

Maestro

**COLOURS**



**REFERENCE**

REF. 40716082  
EAN. 8421152113189

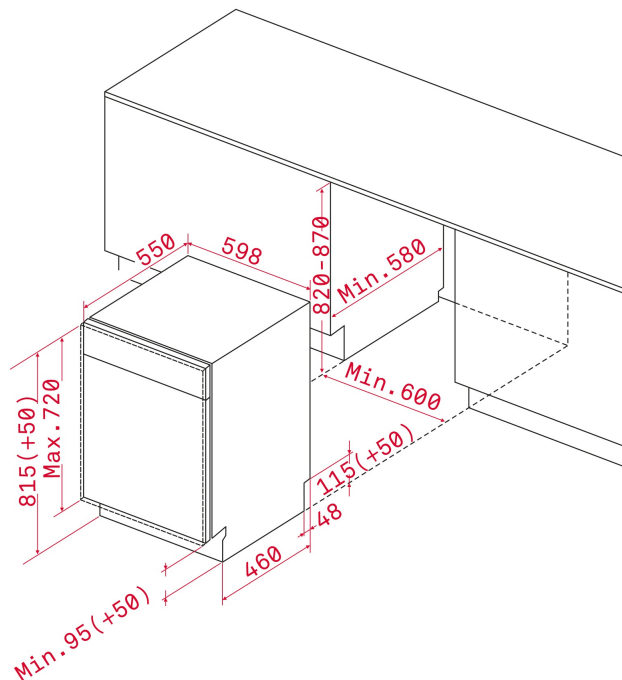


**TEKA**

**DW8 45 S**

**FEATURES**

Partially integrated dishwasher  
Electronic control panel  
LED display  
Place Settings : 10  
Washing programs: 4  
Washing temperatures : 45°, 55°, 65° C  
Full Aquastop  
Delay timer 1-24h  
Fast program 50 minutes  
Eco program  
Third sprayer  
5 positions water softener  
Adjustable upper basket  
Indicator pilots for : On-off, delayed time,  
selected program, lack of salt and rinse aid  
Back feet adjustment from front  
Noise level Db( A ): 46  
Power supply : 220/230V -50 Hz



## DIMENSIONS

**Product height (mm):** 820-870  
**Product width (mm):** 598  
**Product depth (mm):** 568  
**Product length (mm):**  
**Net weight (Kg):** 33,5

## TECH SPECS

### FITTING MEASURES

**Built-in niche height (cm):** 82  
**Maximum door height (mm):** 594  
**Plinth (mm):** 50  
**Door width (mm):** 448

### PRODUCT SHEET

**Capacity (Place Settings):** 10  
**Energy consumption (kWh/year):** 236  
**Power consumption (Kwh):** 0,83  
**Water consumption (litres/year):** 2660  
**Water consumption (litres):** 9.5  
**Noise level (dB):** 46  
**Certificates:** GS/CE/EMC/Rohs

### POWER SUPPLY

**Frequency (Hz):** 50  
**Power rate (V):** 230  
**Power rate (W):** 1400  
**Plug type:** EU  
**Maximum Nominal Power (W):** 1400

**PARTICULAR  
CHARACTERISTICS**

**Type of installation:** Built-in  
**Control panel:** Electronic buttons  
**Control panel display:** Yes  
**Number of programs:** 4  
**Number Of Washing Temperatures:** 3  
**Water softener:** Yes  
**Microfilter:** Yes

**SECURITY SYSTEM**

**Internal Leakage Control:** Yes  
**Aquastop:** Yes

**CONTROL INDICATOR LIGHTS**

**Low Salt Aid indicator:** Yes  
**Low Rinse Aid indicator:** Yes  
**Selected program indicator:** Yes  
**Remaining time:** Yes  
**End of program acoustic alarm:** Yes  
**End of program visual alarm:** Yes

**SPECIAL FUNCTIONS**

**Economic program:** Yes  
**Delayed Timer (h):** 1-24

**EQUIPMENT**

**Adjustable Feet Back:** Yes  
**Adjustable feet front:** Yes  
**3rd sprayer:** Yes  
**Adjustable back feet from front:** Yes

**PRODUCT INFORMATION  
SHEET (UE) 2019/2014**

**Supplier name or trademark:** TEKA  
**Supplier's address:** C/Cajo, 17, 39011, Santander , Spain  
**Model identifier:** DW8 45 S  
**Height (cm):** 82  
**Width (cm):** 59,8  
**Depth (cm):** 56,8

**Additional information:**

Weblink to the supplier's website, where the information in point 6 of Annex II to Commission Regulation (EU) 2019/2022 (1) (b) is found:  
(a) for the eco programme.  
(b) changes to these items shall not be considered relevant for the purposes of paragraph 4 of Article 4 of Regulation (EU) 2017/1369.  
(c) if the product database automatically generates the definitive content of this cell the supplier shall not enter these data.

