



LSI4 1470 Built-In 7kg Washer Dryer



DESCRIPTION

Built-In 7kg Washer Dryer

LIFE STYLE

Maestro

COLOURS



REFERENCE

REF. 40821030
EAN. 8421152114292

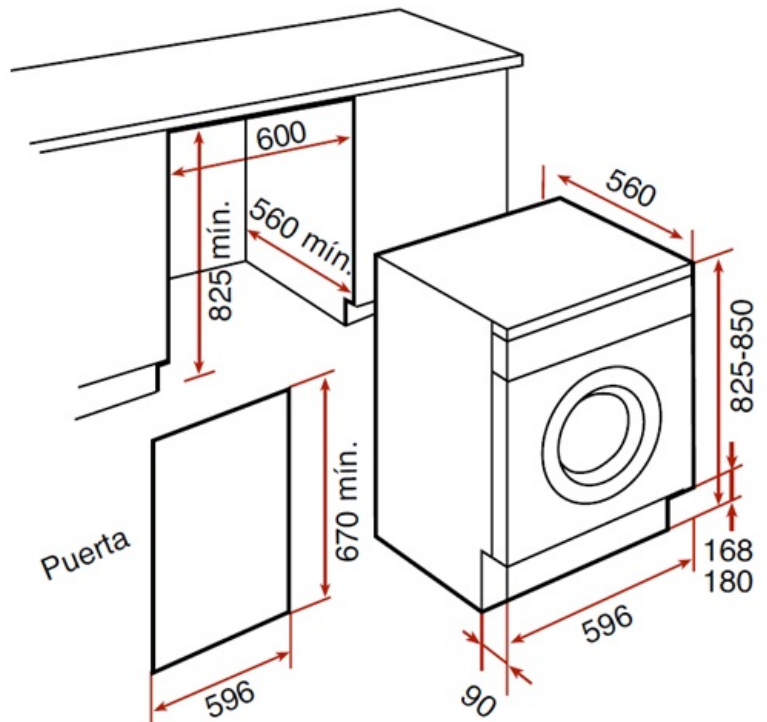


TEKA

LSI4 1470

FEATURES

Integrated washer dryer
Washing capacity : 7 kg
Drying capacity : 4 kg
12 washing programmes
3 drying programmes
Maximum spin speed : 1400 rpm
Electronic control panel
Fast program 15 minutes
Automatic water regulation
Delay timer 1-24h
Balance control system
Foam control system
30 cm wide porthole
Reversible door



DIMENSIONS

Product height (mm): 820
Product width (mm): 596
Product depth (mm): 560
Product length (mm):
Net weight (Kg): 83

TECH SPECS

PRODUCT SHEET

Type of load: Front
Type of installation: Built-in
Certificates: CE + IMQ + VDE

POWER SUPPLY

Frequency (Hz): 50
Power rate (V): 220-240
Maximum Nominal Power (W): 2200
Nominal power motor (W): 340
Power of heating element (W): 2000

PARTICULAR CHARACTERISTICS

Stainless Steel Drum: Yes
Number of programs: 12
Control panel: ELECTRONIC
Electronic washing management: Yes
Child lock: Yes
Auto lock door: Yes
Cancel spin cycle button: Yes
Reversible door: Yes

CONTROL INDICATOR LIGHTS

SPECIAL FUNCTIONS

EQUIPMENT

PRODUCT INFORMATION SHEET (UE) 2019/2014

Selected program indicator: Yes

Remaining time: Yes

Drying: Yes

Dryer timer: Yes

Extra rinse indicator: Yes

Fast program (minutes): 15

Economic program: Yes

Extra rinse: Yes

Resistant: Yes

Easy ironing/anti crease: Yes

Quick Wash: Yes

Adjustable feet front: Yes

Supplier's name or trade mark:

Supplier's address :

Model identifier:

General product parameters

Rated capacity (kg) for the wash and dry cycle:

Rated washing capacity (kg) for the eco 40-60 programme:

Dimensions (cm)

Height:

Width :

Depth:

Energy efficiency index

Energy Efficiency Index EEIW for the eco 40-60 programme (a):

Energy Efficiency Index EEIWD for the wash and dry cycle (b):

Energy efficiency class

Energy efficiency class EEIW for the eco 40-60 programme (a):

Energy efficiency class EEIWD for the wash and dry cycle (b):

Washing efficiency index

Washing efficiency index IW for the eco 40-60 programme:

Washing efficiency index JW for the wash and dry cycle:

Rinsing effectiveness (g/kg dry textile)

Rinsing effectiveness IR for the eco 40-60 programme:

Rinsing effectiveness JR for the wash and dry cycle:

Consumption

Energy consumption in kWh per kg per cycle, for the washing cycle of the household washer-dryer, using the eco 40-60 programme at a combination of full and partial loads. Actual energy consumption will depend on how the appliance is used:

Energy consumption in kWh per kg per cycle, for the wash and dry cycle of the household washer-dryer at a combination of full and half loads. Actual energy consumption will depend on how the appliance is used:

Water consumption in litre per cycle, for the eco 40-60 programme at a combination of full and partial loads. Actual water consumption will depend on how the appliance is used and on the hardness of the water:

Water consumption in litre per cycle, for the wash and dry

cycle of the household washer-dryer at a combination of full and half loads. Actual water consumption will depend on how the appliance is used and on the hardness of the water:

Maximum temperature inside the treated textile (°C) for the eco 40-60 programme

Rated washing capacity:

Half capacity:

Quarter capacity:

Remaining moisture content (%) for the eco 40-60 programme

Rated washing capacity:

Half capacity:

Quarter capacity:

Spin speed (rpm) Eco 40-60 programme

Rated washing capacity:

Half capacity:

Quarter capacity:

Spin-drying efficiency class:

Eco 40-60 programme duration (h:min)

Rated washing capacity:

Half capacity:

Quarter capacity:

Wash and dry cycle duration (h:min)

Rated capacity:

Half capacity:

Other

Airborne acoustical noise emissions during the spinning phase for the eco 40-60 washing cycle at rated washing capacity (dB(A) re 1 pW):

Airborne acoustical noise emission class for the spinning phase for the eco 40-60 programme at rated washing capacity:

Type:

Off-mode (W):

Standby mode (W):

Delay start (W) (if applicable):

Networked standby (W) (if applicable):

Minimum duration of the guarantee offered by the supplier (c):

This product has been designed to release silver ions during the washing cycle YES/NO:

Additional information

Weblink to the supplier's website, where the information in point 9 of Annex II to Regulation (EU) 2019/2023 is found (b):

(a) for the eco 40-60 programme

(b) for the wash and dry cycle

(c) changes to these items shall not be considered relevant for the purposes of paragraph 4 of Article 4 of Regulation (EU) 2017/1369.

(d) if the product database automatically generates the definitive content of this cell the supplier shall not enter these data.

Rated capacity for the washing cycle, at 0,5 kg intervals (Kg) :

Rated capacity for the wash and dry cycle, at 0,5 kg intervals (Kg) :

Energy consumption of the eco 40-60 programme at rated washing capacity (EW-full) (kWh/cycle) :

Energy consumption of the eco 40-60 programme at half rated

capacity (EW-1/2) (kWh/cycle) :

Energy consumption of the eco 40-60 programme at quarter rated capacity (EW-1/4) (kWh/cycle) :

Weighted energy consumption of the eco 40-60 programme (EW) (kWh/cycle) :

Standard energy consumption of the eco 40-60 programme (SCEW) (kWh/cycle) :

Energy Efficiency Index of the washing cycle (EEIW) :

Energy consumption of the wash and dry cycle at rated capacity (EWD-full) (kWh/cycle) :

Energy consumption of the wash and dry cycle at half rated capacity (EWD-1/2) (kWh/cycle) :

Weighted energy consumption of the wash and dry cycle (EWD) (kWh/cycle) :

Standard energy consumption of the wash and dry cycle (SCEWD) (kWh/cycle) :

Energy Efficiency Index of the wash and dry cycle (EEIWD) :

Water consumption of the eco 40-60 programme at rated washing capacity (WW-full) (L/cycle) :

Water consumption of the eco 40-60 programme at half rated capacity (WW-1/2) (L/cycle) :

Water consumption of the eco 40-60 programme at quarter rated capacity (WW-1/4) (L/cycle) :

Weighted water consumption of the washing cycle (WW) (L/cycle) :

Water consumption of the wash and dry cycle at rated capacity (WWD-full) (L/cycle) :

Water consumption of the wash and dry cycle at half rated capacity (WWD-1/2) (L/cycle) :

Weighted water consumption of the wash and dry cycle (WWD) (L/cycle) :

Washing efficiency index of the eco 40-60 programme at rated washing capacity (Iw) :

Washing efficiency index of the eco 40-60 programme at half rated capacity (Iw) :

Washing efficiency index of the eco 40-60 programme at quarter rated capacity (Iw) :

Washing efficiency index of the wash and dry cycle at rated capacity (Jw) :

Washing efficiency index of the wash and dry cycle at half rated capacity (Jw) :

Rinsing effectiveness of the eco 40-60 programme at rated washing capacity (IR) (g/kg) :

Rinsing effectiveness of the eco 40-60 programme at half rated washing capacity (IR) (g/kg) :

Rinsing effectiveness of the eco 40-60 programme at quarter rated washing capacity (IR) (g/kg) :

Rinsing effectiveness of the wash and dry cycle at rated capacity (JR) (g/kg) :

Rinsing effectiveness of the wash and dry cycle at half rated capacity (JR) (g/kg) :

Programme duration of the eco 40-60 programme at rated washing capacity (tw) (h:min) :

Programme duration of the eco 40-60 programme at half rated washing capacity (tw) (h:min) :

Programme duration of the eco 40-60 programme at quarter rated washing capacity (tw) (h:min) :

Cycle duration of the wash and dry cycle at rated capacity (tWD) (h:min) :

Cycle duration of the wash and dry cycle at half rated capacity (tWD) (h:min) :

Temperature reached for minimum 5 min inside the load during eco 40-60 programme at rated washing capacity (T) (°C) :

Temperature reached for minimum 5 min inside the load during eco 40-60 programme at half rated washing capacity (T) (°C) :

Temperature reached for minimum 5 min inside the load during eco 40-60 programme at quarter rated washing capacity (T) (°C) :

Temperature reached for minimum 5 min inside the load in the washing cycle during wash and dry cycle at rated capacity (T) (°C) :

Temperature reached for minimum 5 min inside the load in the washing cycle during wash and dry cycle at half rated capacity (T) (°C) :

Spin speed in the spinning phase of the eco 40-60 programme at rated washing capacity (S) (RPM) :

Spin speed in the spinning phase of the eco 40-60 programme at half rated washing capacity (S) (RPM) :

Spin speed in the spinning phase of the eco 40-60 programme at quarter rated washing capacity (S) (RPM) :

Remaining moisture content for the eco 40-60 programme at rated washing capacity (Dfull) (%) :

Remaining moisture content for the eco 40-60 programme at half rated washing capacity (D1/2) (%) :

Remaining moisture content for the eco 40-60 programme at quarter rated washing capacity (D1/4) (%) :

Weighted remaining moisture content after washing (D) (%) :

Final moisture content after drying (%) :

Airborne acoustical noise emissions during eco 40-60 programme (spinning phase) (dB(A) re 1 pW) :

Power consumption in off-mode (Po) (W) :

Power consumption in standby mode (Psm) (W) :

Does standby mode include the display of information?

YES/NO:

Power consumption in standby mode (Psm) in condition of networked standby (if applicable) (W) :

Power consumption in delay start (Pds) (if applicable) (W) :

Additional information:

(c) where appropriate, the references of the harmonised standards applied;

(d) where appropriate, the other technical standards and specifications used;

(e) the details and the results of calculations performed in accordance with Annex IV;

(f) a list of all equivalent models including the model identifier.

