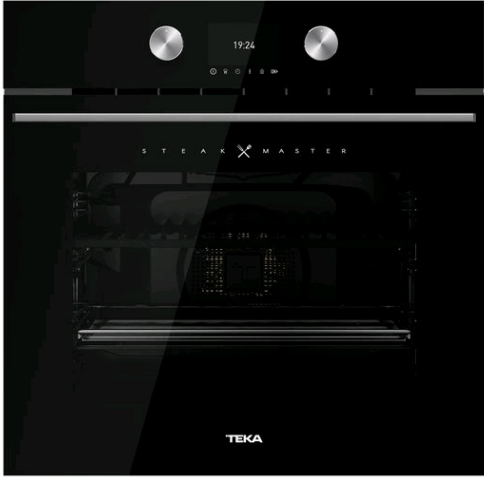




SteakMaster Multifunction Pyrolytic oven with special Grill and Cast iron grid for Steaks



A Energy Class



DualClean



Plus Extension
Telescopic
Guide



HydroClean



Pyrolysis



SoftClose



SurroundTemp

DESCRIPTION

Multifunction Pyrolytic oven with special Grill and Cast iron grid for Steaks

LIFE STYLE

Maestro

COLOURS

REFERENCE

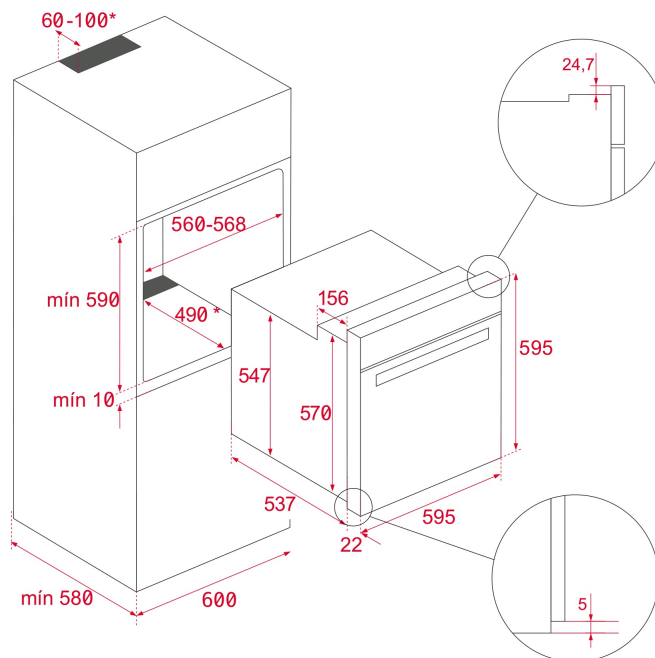
REF. 111000036
EAN. 8434778012576



SteakMaster

FEATURES

SteakMaster Oven with SteakGrill (700^o)
Pyrolytic Multifunction SurroundTemp
3 pyrolytic cleaning cycles
HydroClean® PRO cleaning system
Enamel Slippery
A+ Energy class: up to 20% less consumption
Capacity, gross/net: 71/63 litres
TFT 4" true color Touch control
LED illuminated ring knob
20 automatic programs for meat
Personal cook assistant: 20 international programmed recipes
Automatic Express preheating
SlowCook: low temperature cooking
Pizza, ferment, defrosting & ECO functions
Children safety block, timer and door
Automatic disconnection security system
4 removable glazed door
SoftClose door with autolock
Full glass inner door
Plus + Full Extension telescopic guides easy slide
Special cast iron grid for Steaks
Anti-tip deep tray and reinforced grid
Tangential ventilation Plus with 2 speeds
Optional The SteamBox and cast aluminium tray



DIMENSIONS

Product height (mm): 595

Product width (mm): 595

Product depth (mm): 537+22

Product length (mm):

Net weight (Kg): 40

TECH SPECS

PARTICULAR CHARACTERISTICS

Certificates: N / CE / CCA / CB / EAC

Number of cavities: 1

Type of inner light: Halogen

Inside light position: Left-Right TOP CORNER

Enamelled cavity: Yes

Function selector: Electronic

Number of cooking functions: 12

Number of recipes: 20

Grill function: Yes

MaxiGrill function: Yes

Bottom function: Yes

Turbo function: Yes

ECO function: Yes

Ferment function: Yes

Automatic quick heating: Yes

Slow Cook: Yes

Knobs type: MMX FIX ROTATIVE SS

Ring illuminated: Yes

Removable chromed tray guides: Yes

Number of guide levels: 5

Easy slide telescopic guides: Yes

SoftClose: Yes

ELECTRIC CONNECTION

Maximum Nominal Power (W): 3552
Frequency (Hz): 50/60
Power rate (V): 220-240
Cable Connection Length (cm): 150
Plug: Yes
Inside light Consumption (W): 25

ENERGY CONSUMPTION

Energy consumption per cycle in conventional mode (kWh):
0.87
Energy consumption per cycle in fan-forced convection mode (kWh): 0,68
Bottom Heating Element (W): 1050
Grill (W): 2400
Maxi Grill (W): 3500
Traditional (W): 2450
Turbo (W): 2000
Multifunction Turbo (W): 25
Cooling Fan Motor (W): 30

SECURITY SYSTEM

Automatic disconnection when opening the door: Yes
Children safety block option: Yes
Grill protection: Yes
Anti-tip tray system: Yes
Safety Thermostat: Yes
Full glazed doors: 4

CLEANING SYSTEM

Crystal Clean Enamel (Slippery): Yes
Hydroclean PRO: Yes
Pyrolitic: Yes
DualClean: Yes

ACCESSORIES

Deep Tray (50 mm): Yes
Steak tray: 1
Reinforced grid: Yes

ENERGY EFFICIENCY

Energy Efficiency Class: A
Energy Efficiency Index (EEI): 81

