



**DVT 98660 TBS** 90cm Vertical Decorative Hood in full glass design and FreshAir function



A Energy Class



LED



Perimeter extraction



Stop Delay Timer



Fresh AIR

**DESCRIPTION**

90cm Vertical Decorative Hood in full glass design and FreshAir function

**LIFE STYLE**

Maestro

**COLOURS**

**REFERENCE**

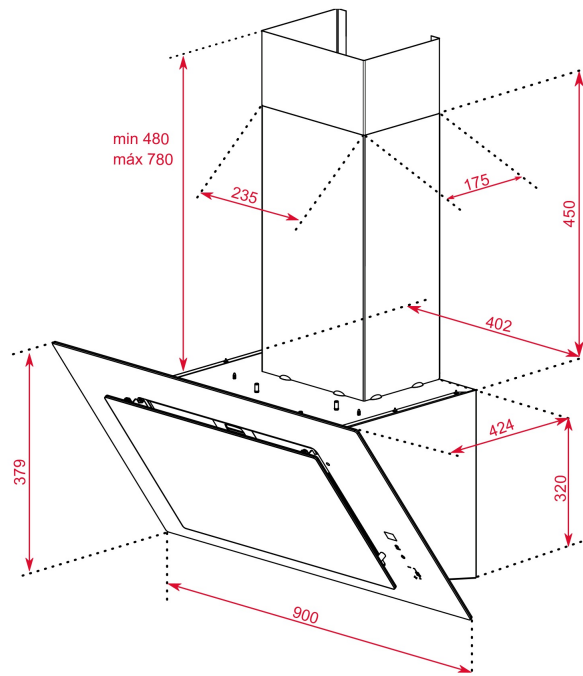
REF. 112930043  
EAN. 8434778013252

**FEATURES**

Vertical decorative hood  
Rim extraction system  
Touch control display  
FreshAir function  
Full glass design  
3 speeds + intensive  
Stop delay timer  
LED illumination  
Saturation filter indicator  
EcoPower motor  
Exhausts capacity: min.307 m<sup>3</sup>/h – max.698 m<sup>3</sup>/h  
Sound level: min.61 dB – max.72 dB  
Recirculation function with or without tube cover  
Optional regenerative charcoal filters  
Installation also possible without tube cover

## DIMENSIONS

**Product height (mm):** 380  
**Product width (mm):** 900  
**Product depth (mm):** 412  
**Product length (mm):**  
**Net weight (Kg):** 16,2



## TECH SPECS

### PARTICULAR CHARACTERISTICS

**Type of hood:** Vertical  
**Style:** Decoratives  
**Removable oil collector:** Yes  
**Dual Aspiration System:** Yes  
**Type of inner light:** LED  
**Inside light Consumption (W):** 4  
**Plug type:** Schuko plug  
**Cable Connection Length (cm):** 100  
**Power rate (V):** 220-240  
**Frequency (Hz):** 50/60  
**Total hood power (W):** 286  
**Number of motors:** 1  
**Motor power (W):** 280

**EU REGULATION NO. 65/2014  
&66/2104**

**Annual energy consumption AEC kWh/annum (kWh):** 38,7  
**Energy Efficiency Class:** A+  
**Fluid Dynamic Efficiency (FDEhood):** 35,1  
**Fluid Dynamic Efficiency class:** A  
**Light Efficiency (Lehood) lux/Watt:** 69,8  
**Lighting Efficiency class:** A

**Grease Filtering Efficiency class:** C  
**Air flow (Qmin) m<sup>3</sup>/h:** 307  
**Air flow (Qmax):** 584  
**Air flow (Qboost):** 698  
**Noise (LwA) Min Speed (dB):** 61  
**Noise (LwA) Max Speed (dB):** 72  
**Noise (LwA) boost speed (dB):** 74  
**Off mode Power (Po) W:** 0  
**Standby Power (Ps) W:** 0,74  
**Energy Efficiency Index (EEI):** 41  
**Time increase factor:** 0,7  
**Electric power input at best efficiency point (Wbep) W:** 140  
**Nominal power of the lighting system (WL) W:** 4,2  
**Average illumination of the lighting system on the cooking surface (Emiddle) Lux:** 419

## **ACCESSORIES**

**Anti Return valve:** Yes  
**Outlet reduction:** Yes  
**Optional Charcoal Filter:** C1RTK  
**Charcoal filter description:** Conventional charcoal filter  
**Conventional recirculation kit (with tube cover):** 113290017  
**Regenerative recirculation kit (with tube cover):** 113290011  
**Conventional recirculation kit (without tube cover):** 113290016  
**Regenerative recirculation kit (without tube cover):** 113290012

## **MODELS**

**Filter description:** Aluminum Filters  
**Opening system:** Piston  
**Control panel:** Touch Control w/display  
**Stop delay timer:** Yes  
**Filter saturation indicator:** Yes  
**Number of speeds:** 3 + 1  
**Fresh air function:** Yes



DVT 98660 TBS

ENERGY LABEL

The energy label for the TEKA DVT 98660 TBS BK is a vertical rectangular sticker with a blue border. At the top left is the European Union flag. To its right, the word "ENERG" is written in large blue letters, with "енергия · енергія" in smaller text below it. Further right are four small circular icons: "Y UA", "IE IA", "Y UA", and "IE IA". Below this header, the model name "TEKA DVT 98660 TBS BK" is printed. The main part of the label features a vertical scale of energy efficiency classes from A+++ (green) at the top to D (red) at the bottom. A black arrow points to the A+ class. To the right of the scale, a white box contains the number "39" and the text "kWh/annum". Below the scale are four icons: a fan, a light bulb, water droplets, and a speaker. Each icon has a corresponding energy class label below it: "A B C D E F G" for the fan, "A B C D E F G" for the light bulb, "A B C D E F G" for the water droplets, and "68 dB" for the speaker. At the bottom left of the label, the date "65/2014" is printed.