



**DVN 94030 TTC** 90cm Vertical Decorative Hood with Touch control and Rim Extraction



LED



Perimeter extraction



Stop Delay Timer

**DESCRIPTION**

90cm Vertical Decorative Hood with Touch control and Rim Extraction

**LIFE STYLE**

Easy

**COLOURS**



**REFERENCE**

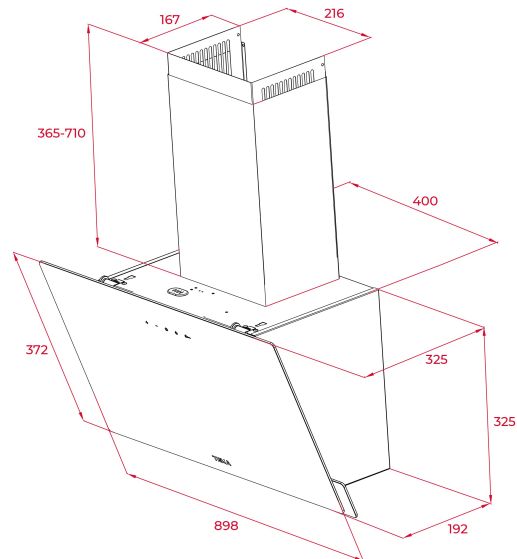
REF. 112950008  
EAN. 8434778010800



## DVN 94030 TTC

### FEATURES

Vertical decorative hood  
Energy efficiency class: C  
Extraction rim system "Contour"  
Touch control panel  
2 speeds + 1 intensive  
Exhaust capacities:  
Free Outlet (m<sup>3</sup>/h): 460  
Max. (m<sup>3</sup>/h): 410  
Min. (m<sup>3</sup>/h): 380  
Noise (LwA) Max Speed 66 dB  
Noise (LwA) Min Speed 65 dB  
LED illumination  
1 aluminium filter with 4 layers  
Stop delay timer  
Filter saturation indicator  
Recirculation function optional Set D11CTP  
Regenerative Charcoal filters optional



## DIMENSIONS

**Product height (mm):** 690-1035

**Product width (mm):** 898

**Product depth (mm):** 325

**Product length (mm):**

**Net weight (Kg):** 9,82

## TECH SPECS

### PARTICULAR CHARACTERISTICS

**Certificates:** CE; CB; EMC

**Ø Outlet (mm):** 150

**Type of inner light:** LED

**Inside light Consumption (W):** 1

**Plug type:** schuko

**Cable Connection Length (cm):** 160

**Power rate (V):** 220240

**Frequency (Hz):** 50/60

**Total hood power (W):** 142

**Number of motors:** 2

**Motor power (W):** 140

**EU REGULATION NO. 65/2014  
&66/2104**

**Annual energy consumption AEC kWh/annum (kWh):** 60,2

**Energy Efficiency Class:** C

**Fluid Dynamic Efficiency (FDEhood):** 11,05

**Fluid Dynamic Efficiency class:** E

**Light Efficiency (Lehood) lux/Watt:** 76,1

**Lighting Efficiency class:** A

**Grease Filtering Efficiency class:** C

**Air flow (Qmin) m3/h:** 380

**Air flow (Qmax):** 410  
**Air flow (Qboost):** 425  
**Noise (LwA) Min Speed (dB):** 65  
**Noise (LwA) Max Speed (dB):** 66  
**Noise (LwA) boost speed (dB):** 67  
**Standby Power (Ps) W:** 0,49  
**Energy Efficiency Index (EEI):** C  
**Time increase factor:** 1,6  
**Air pressure at best efficiency point(Pbep) Pa:** 163  
**Electric power input at best efficiency point (Wbep) W:** 101  
**Nominal power of the lighting system (WL) W:** 2  
**Average illumination of the lighting system on the cooking surface (Emiddle) Lux:** 152

## ACCESSORIES

**Anti Return valve:** Yes  
**Outlet reduction:** Yes  
**Outlet extension:** no  
**Optional Charcoal Filter:** D9C  
**Charcoal filter description:** CHARCOAL FILTER D9C INTEGRA (set 2 u.)

## MODELS

**Number of filters:** 1  
**Filter description:** Aluminum Filters  
**Opening system:** Panel Uphold Hinge  
**Control panel:** Touch Control  
**Stop delay timer:** Yes  
**Number of speeds:** 2+1

## PRODUCT INFORMATION SHEET - DELEGATED REGULATION (EU) 65/2014

**Supplier name or trademark:** TEKA  
**Model identifier:** DVN 94030 TTC  
**Annual Energy Consumption:** 60,2  
**Energy Efficiency Class:** C  
**Fluid Dynamic Efficiency:** 11,05  
**Fluid Dynamic Efficiency class:** E  
**Lighting Efficiency:** 76,1  
**Lighting Efficiency class:** A  
**Grease Filtering Efficiency class:** C  
**Air flow (min speed normal use):** 380  
**Air flow (max speed normal use):** 410  
**Air flow (intensive or boost use):** 425  
**Airborne acoustical A-weighted sound power emissions (min speed normal use):** 65  
**Airborne acoustical A-weighted sound power emissions (max speed normal use):** 0  
**Airborne acoustical A-weighted sound power emissions (intensive or boost use):** 67  
**Power consumption in off mode (W):** n.a.  
**Power consumption in standby mode (W):** 0,49



DVN 94030 TTC

ENERGY LABEL

