



TKS 850 C BLANCA 8kg Electronic Condensate Dryer with 4 intensity levels



Quick Cycle



Washing capacity: 8Kg

DESCRIPTION

8kg Electronic Condensate Dryer with 4 intensity levels

LIFE STYLE

Maestro

COLOURS



REFERENCE

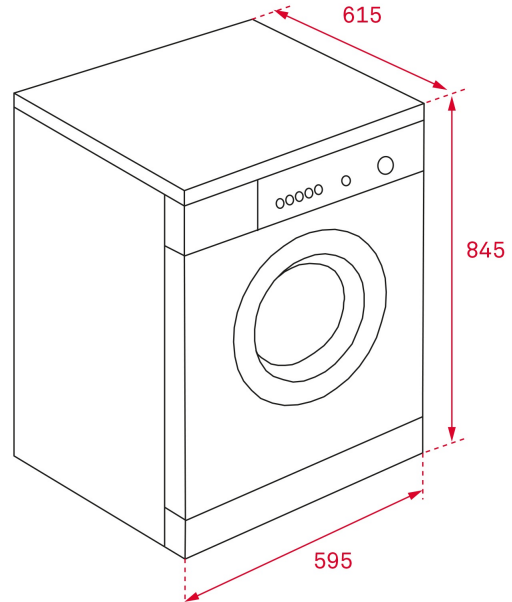
REF. 40854100
EAN. 8421152131718

The logo consists of a red square with the word 'TEKA' in white, bold, uppercase letters.

TKS 850 C BLANCA

FEATURES

Free Standing Dryer
Condensed drying technology
ExcellentDry sensor
Electronic control panel
Drying capacity: 8 kg
Drying programs: 16
Fast program: 45 minutes
ECO mode program
Delay timer: 1-24 hours
50 cm wide porthole door



DIMENSIONS

Product height (mm): 845
Product width (mm): 595
Product depth (mm): 615
Product length (mm):
Net weight (Kg): 42

TECH SPECS

PRODUCT SHEET

Type of installation: Free Standing
Drying capacity (Kgs): 8
Condensation efficiency: B
Energy consumption per drying cycle (Full load) (kWh): 4.74
Energy consumption (kWh/year): 561
Duration of drying cycle (Full load) (minutes): 112
Automatic (sensor drying): Yes

POWER SUPPLY

Frequency (Hz): 50
Power rate (V): 220-240
Maximum Nominal Power (W): 2700
Nominal power motor (W): 200
Power of heating element (W): 2500

PARTICULAR CHARACTERISTICS

Glass door diameter (cms): 50
Number of programs: 16
Control panel: ELECTRONIC
Electronic washing management: Yes
Bidirectional rotation: Yes

CONTROL INDICATOR LIGHTS

SPECIAL FUNCTIONS

EQUIPMENT

PRODUCT INFORMATION SHEET (UE) 2019/2014

TECHNICAL DOCUMENTATION (UE) 2019/2014

Drum light: Yes
Drum: Zincification steel

Remaining time: Yes
Drying: Yes
Dryer timer: Yes

Fast program: Yes
Economic program: Yes
Delayed Timer (h): 1-24 hours

Adjustable Feet Back: Yes
Adjustable feet front: Yes

General product parameters

Dimensions (cm)

Consumption and efficiency

Maximum temperature inside the treated textile (a) (°C)

Remaining moisture content (a) (%)

Spin speed (a) (rpm)

Eco 40-60 programme duration (a) (h:min)

Other

Additional information:

Weblink to the supplier's website, where the information in point 9 of Annex II to Commission Regulation (EU) 2019/2023 (1) (b) is found: www.teka.com

(a) for the eco 40-60 programme.

(b) changes to these items shall not be considered relevant for the purposes of paragraph 4 of Article 4 of Regulation (EU) 2017/1369.

(c) if the product database automatically generates the definitive content of this cell the supplier shall not enter these data.

Additional information:

(c) where appropriate, the references of the harmonised standards applied;

(d) where appropriate, the other technical standards and specifications used;

(e) the details and the results of calculations performed in accordance with Annex IV;

(f) a list of all equivalent models including the model identifier.



TKS 850 C BLANCA

ENERGY LABEL

