

TEKA**EWH 50 H VR01**

Water heater with double installation system and 50L capacity



Dry Heating Protection



ELCB Earth Leakage Circuit Breaker



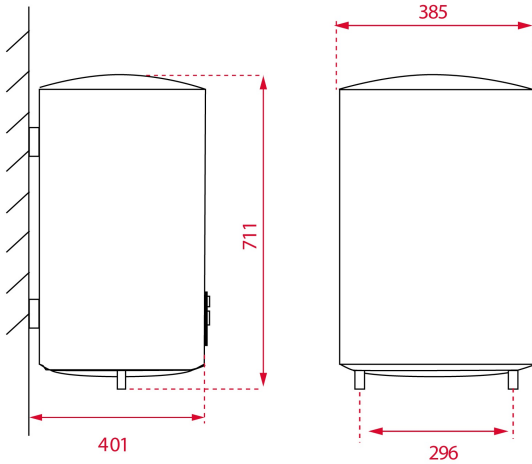
Humidity Control



Overheating Protection



Type of Installation

**REFERENCE**

REF: 42080250

EAN: 8421152131954

FEATURES

Vertical and horizontal installation
Capacity: 46 litres
Average number of users: 2-3
Tank ultra-resistant protective polish
Enamelled heating element
Temperature regulation 30° - 75° C
Max input pressure: 0.75 Mpa
Thermometer
Over-pressure protection
Over-heating protection
Humidity protection
Dry-heating protection
Earth leakage circuit breaker ELCB
Power rate: 1500 W
Isolation thickness: 20 mm

DIMENSIONS**Product height (mm):** 711**Product width (mm):** 385**Product depth (mm):** 385**Product length (mm):****Net weight (Kg):** 18,3**COLOURS**

42080250 White