

TEKA**RMF 74810 SS**

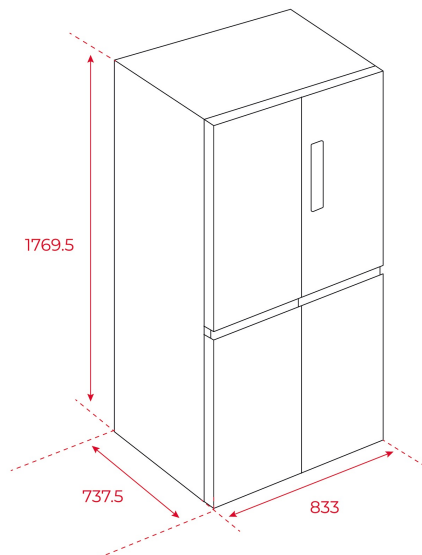
Full No Frost multidoor bottom freezer refrigerator with inverter motor

Motor
InverterOn
Holidays
functionEco
Function

Fresh Box



LED

LongLife
No Frost**REFERENCE**

REF: 113430015

EAN: 8434778003864

FEATURES

Free Standing bottom freezer refrigerator
LongLife No Frost with 2 independent circuits
Inverter motor
Outer control display
Electronic adjustable thermostat
2 FreshBox drawers
2 safety glass shelves
On holidays function
Fast freezing and fast cooling function
Front adjustable feet
ECO Function
LED Illumination
Climate class: T/ST/N
Total capacity (gross/net): 544 / 493 litres
2 Ice cube trays and twister ice maker included

DIMENSIONS**Product height (mm):** 1775**Product width (mm):** 833**Product depth (mm):** 740**Product length (mm):****Net weight (Kg):** 99**TECHNICAL DETAILS**

Energy efficiency class (UE 2019/2016): -

Climate Class: T, ST, N

Energy Consumption (Kw/day): 1,39

Annual Consumption (kWh/year): 507

Freezing Capacity: 18

Noise Level (dBA): 45

Power rate (V): 115

Frequency (Hz): 60

COLOURS

113430015

Stainless steel