



ML 825 TFL 25L Built-in Microwave + Grill with Full Touch Control



Defrost By
Time



Defrost By
Weight



Direct Access
Menu



Electronic Door
Opening

DESCRIPTION

25L Built-in Microwave + Grill with Full Touch Control

LIFE STYLE

Maestro

COLOURS



REFERENCE

REF. 40590640
EAN. 8421152149188

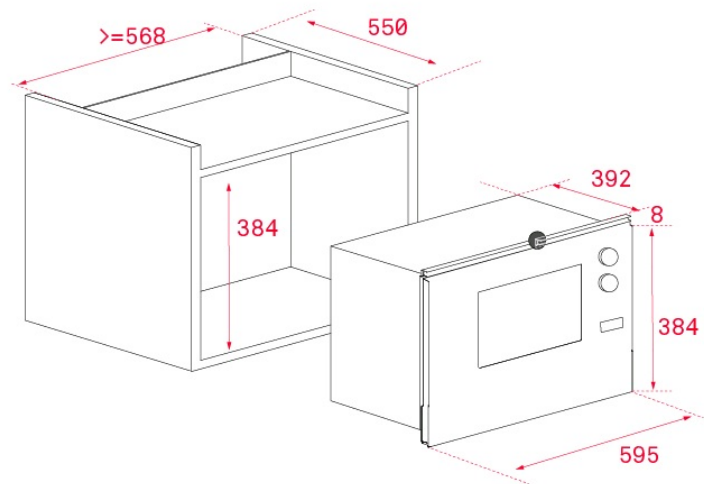


TEKA

ML 825 TFL

FEATURES

Microwave + grill
Touch Control panel with LED display
Drop down maxi grill, 1.000 W
Five power levels, 900 W
Total gross capacity : 25 litres
Stainless steel inner
Full glass inner and outside door
Quick start 30"
Minute minder: 0 - 95 minutes
Defrosting by weight and time
8 direct access menus
Children safety block
Grill



DIMENSIONS

Product height (mm): 382
Product width (mm): 595
Product depth (mm): 392
Product length (mm):
Net weight (Kg): 17,6

TECH SPECS

PARTICULAR CHARACTERISTICS

Certificates: CE; CB;
Number of cooking functions: 3
Number of memories: 2
Grill function: Yes
Minute Minder: Yes
Number of guide levels (lower cavity): 0
Microwave function: Yes
Number of power levels: 5
Seconds Quick Start: Yes

ELECTRIC CONNECTION

Maximum Nominal Power (W): 1450
Frequency (Hz): 50
Power rate (V): 230
Cable Connection Length (cm): 110
Inside light Consumption (W): 25

ENERGY CONSUMPTION

Grill (W): 1000
Turbo (W): 0

SECURITY SYSTEM

Automatic disconnection when opening the door: Yes

Children safety block option: Yes

Safety Thermostat: Yes

ACCESSORIES

Glass Tray: 1

Crunch plate: 0

