



TG 80 Free Standing Tabletop Larder freezer of 84.5 cm with 1 door and 4 separate compartments



DESCRIPTION

Free Standing Tabletop Larder freezer of 84.5 cm with 1 door and 4 separate compartments

LIFE STYLE

Easy

COLOURS



REFERENCE

REF. 40670400
EAN. 8421152112236

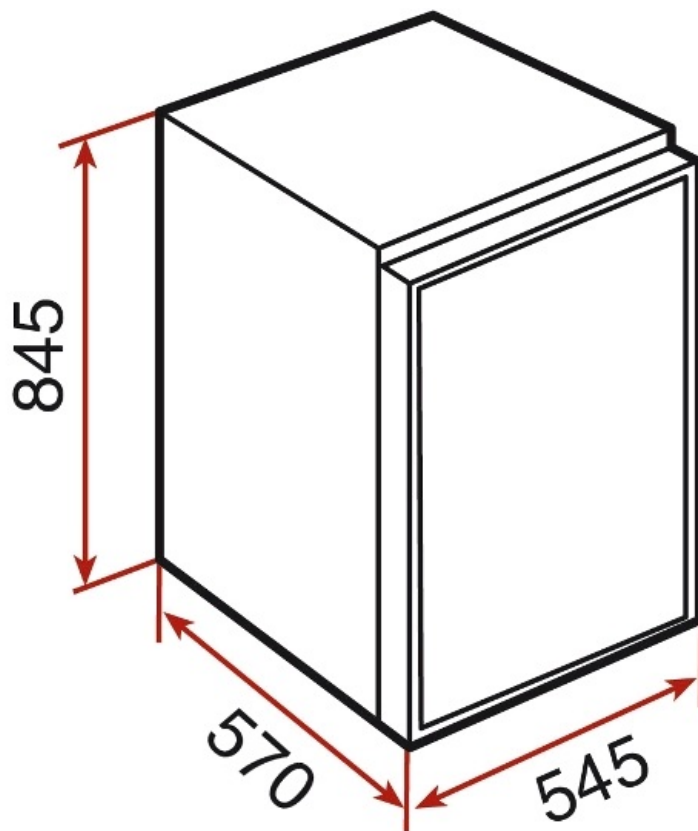


TEKA

TG 80

FEATURES

Free standing tabletop freezer
Mechanical control panel
4 * freezer
Manual defrost
4 freezer drawers
Reversible door
Climate Class : N-ST
Noise level : 43 dBA
Total gross capacity : 88 litres
Net capacity (freezer):80 litres
Voltage : 220-240/50 Hz



DIMENSIONS

Product height (mm): 845

Product width (mm): 545

Product depth (mm): 570

Product length (mm):

Net weight (Kg): 37

TECH SPECS

PRODUCT SHEET

Cooling system: Defrost

Total gross capacity (litres): 88

Freezer compartment capacity (litres): 80

Freezer classification: 4

Annual Consumption (kWh/year): 183

Temperature Rise Time (h): 12

Climate class: N - ST

Noise level (dB): 43

POWER SUPPLY

Frequency (Hz): 50

Power rate (V): 220-240

Power rate (W): 90

Defrost element power (W): 1

Energy consumption (kw/day): 0,502

PARTICULAR CHARACTERISTICS

Type of installation: Free standing

Antibacterial treatment: 0

EQUIPMENT

PRODUCT INFORMATION SHEET (UE) 2019/2016

Fast freezing: Yes
Reversible doors: Yes

Adjustable feet front: Yes

Supplier name or trademark: TEKA
Supplier's address: C/Cajo, 17, 39011, Santander , Spain
Model identifier: TG 80

Type of refrigerating appliance

Overall dimensions (mm)

Height: 845
Width: 545
Depth: 570
Climate class: N - ST

Light source parameters

Light source parameters

Additional information:

Weblink to the manufacturer's website, where the information in point 4(a) Annex of Commission Regulation (EU) 2019/2019 (1) (b) is found:
(a) as determined in accordance with Commission Delegated Regulation (EU) 2019/2015 (2).
(b) changes to these items shall not be considered relevant for the purposes of point 4 of Article 4 of Regulation (EU) 2017/1369.
(c) if the product database automatically generates the definitive content of this cell the supplier shall not enter these data.

(1) Commission Regulation (EU) 2019/2019 of 1 October 2019 laying down ecodesign requirements for refrigerating appliances pursuant to Directive 2009/125/EC of the European Parliament and of the Council and repealing Commission Regulation (EC) No 643/2009 (see page 187 of this Official Journal).(2)

(2) Commission Delegated Regulation (EU) 2019/2015 of 11 March 2019 supplementing Regulation (EU) 2017/1369 of the European Parliament and of the Council with regard to energy labelling of light sources and repealing Commission Delegated Regulation (EU) No 874/2012 (see page 68 of this Official Journal).

