



**DW8 60 S** Free Standing Dishwasher with capacity for 6 cutlery in 60cm



Eco Function



Water dirtiness sensor  
Aqualogic

**DESCRIPTION**

Free Standing Dishwasher with capacity for 6 cutlery in 60cm

**LIFE STYLE**

Total

**COLOURS**



**REFERENCE**

REF. 40716160  
EAN. 8421152072196

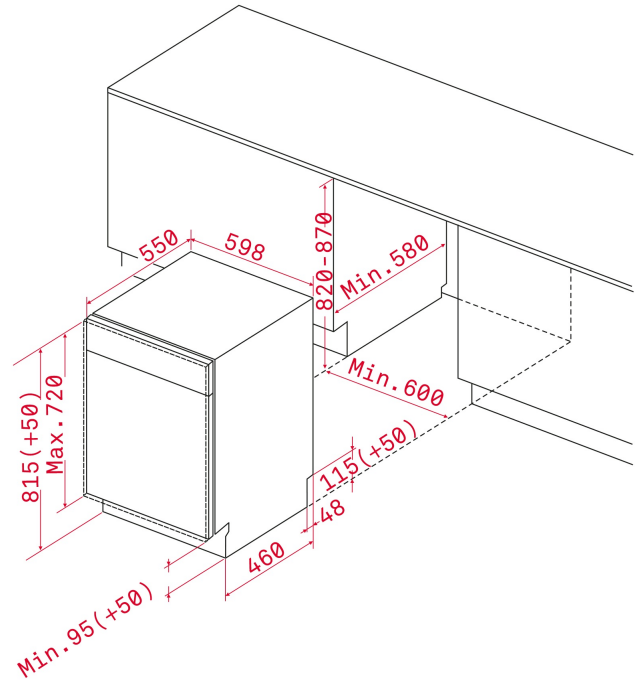


TEKA

DW8 60 S

## FEATURES

Partially integrated dishwasher  
Electronic control panel  
Place Settings : 13  
Washing programs : 5  
Washing temperatures : 38°, 55°,  
65°, 70° C  
Full Aquastop  
Aqualogic  
3 in 1 selector  
Dual half load  
Fast program 38 minutes  
Eco program  
Intensive program (70 °C)  
Third sprayer  
5 positions water softener with  
electronic adjustment  
Automatic adjustable upper basket  
Indicator pilots for : On-off, lack of salt  
and rinse aid  
Back feet adjustment from front  
Noise level Db( A ) : 47  
Power supply : 220/230V -50 Hz



## DIMENSIONS

**Product height (mm):** 820-870  
**Product width (mm):** 596  
**Product depth (mm):** 550  
**Product length (mm):**  
**Net weight (Kg):** 41

## TECH SPECS

### FITTING MEASURES

**Built-in niche height (cm):** 82  
**Maximum door height (mm):** 594  
**Plinth (mm):** 50  
**Door width (mm):** 596

### PRODUCT SHEET

**Capacity (Place Settings):** 13  
**Energy consumption (kWh/year):** 294  
**Power consumption (Kwh):** 1,05  
**Water consumption (litres/year):** 2660  
**Water consumption (litres):** 9.5  
**Noise level (dB):** 47  
**Certificates:** CE-VDE

### POWER SUPPLY

**Frequency (Hz):** 50  
**Power rate (V):** 220-230  
**Power rate (W):** 1900  
**Plug type:** EU  
**Maximum Nominal Power (W):** 1900

**PARTICULAR  
CHARACTERISTICS**

**Type of installation:** Built-in  
**Control panel:** Electronic buttons  
**Number of programs:** 5  
**Number Of Washing Temperatures:** 4  
**Aqua-Logic:** Yes  
**Water softener:** Yes  
**Microfilter:** Yes

**SECURITY SYSTEM**

**Internal Leakage Control:** Yes  
**Aquastop:** Yes

**CONTROL INDICATOR LIGHTS**

**Low Salt Aid indicator:** Yes  
**Low Rinse Aid indicator:** Yes  
**Selected program indicator:** Yes  
**End of program acoustic alarm:** Yes  
**End of program visual alarm:** Yes

**SPECIAL FUNCTIONS**

**Fast program:** Yes  
**Fast program (minutes):** 38  
**Economic program:** Yes  
**Alternative wash (Zone Wash):** Yes  
**Delayed Timer (h):** NO

**EQUIPMENT**

**Adjustable Feet Back:** Yes  
**Adjustable feet front:** Yes  
**3rd sprayer:** Yes  
**Adjustable back feet from front:** Yes

**PRODUCT INFORMATION  
SHEET (UE) 2019/2014**

**Supplier name or trademark:** TEKA  
**Supplier's address:** C/Cajo, 17, 39011, Santander , Spain  
**Model identifier:** DW8 60 S  
**Height (cm):** 82  
**Width (cm):** 59,6  
**Depth (cm):** 55

**Additional information:**

Weblink to the supplier's website, where the information in point 6 of Annex II to Commission Regulation (EU) 2019/2022 (1) (b) is found:  
(a) for the eco programme.  
(b) changes to these items shall not be considered relevant for the purposes of paragraph 4 of Article 4 of Regulation (EU) 2017/1369.  
(c) if the product database automatically generates the definitive content of this cell the supplier shall not enter these data.

