



LP8 400 EU Free Standing Dishwasher for 9 place settings and 4 washing programs in 45cm



Eco Function

DESCRIPTION

Free Standing Dishwasher for 9 place settings and 4 washing programs in 45cm

LIFE STYLE

Easy

COLOURS



REFERENCE

REF. 40782032
EAN. 8421152144565



TEKA

LP8 400 EU

FEATURES

Free-standing dishwasher

Place settings: 9

Washing programs: 4

Washing temperatures: 45°, 60°, 65°C

Half load program

Fast program 30 minutes

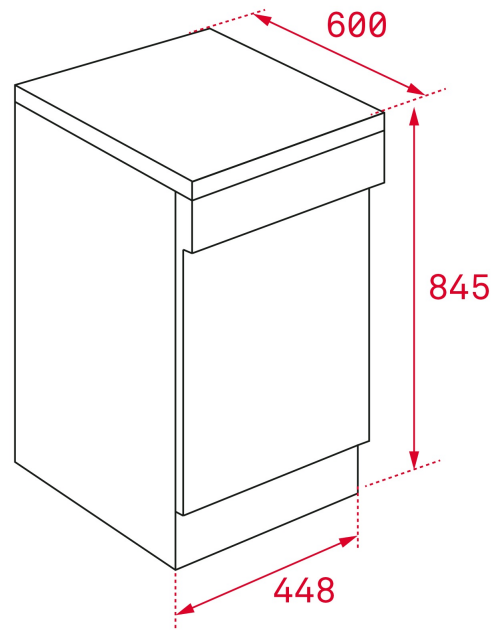
Eco Program

AquaStop safety system

Adjustable upper basket

:

Noise level: 49 dBA



DIMENSIONS

Product height (mm): 845
Product width (mm): 448
Product depth (mm): 600
Product length (mm):
Net weight (Kg): 33

TECH SPECS

PRODUCT SHEET

Capacity (Place Settings): 9
Energy consumption (kWh/year): 215
Power consumption (Kwh): 0,75
Water consumption (litres/year): 2660
Water consumption (litres): 9.5
Standard program: ECO
Standard cycle duration (minutes): 190
Noise level (dB): 49
Certificates: GS;CE;EMC;Rohs

POWER SUPPLY

Frequency (Hz): 50
Power rate (V): 220-240
Power rate (W): 1760-2100
Plug type: EU
Maximum Nominal Power (W): 2100

PARTICULAR CHARACTERISITICS

Type of installation: Free standing
Control panel: Electronic buttons
Number of programs: 4

SECURITY SYSTEM

CONTROL INDICATOR LIGHTS

SPECIAL FUNCTIONS

**PRODUCT INFORMATION
SHEET (UE) 2019/2014**

Number Of Washing Temperatures: 3

Water softener: Yes

Microfilter: Yes

Internal Leakage Control: Yes

Low Salt Aid indicator: Yes

Low Rinse Aid indicator: Yes

Selected program indicator: Yes

Fast program: Yes

Fast program (minutes): 30

Economic program: Yes

Half load: Yes

Delayed Timer (h): NO

Supplier name or trademark: TEKA

Supplier's address: C/Cajo, 17, 39011, Santander , Spain

Model identifier: LP8 400 EU

Rated capacity (nb of place settings): 9

Height (cm): 85

Width (cm): 45

Depth (cm): 60

Airborne acoustical noise emission class: C

Minimum duration of the guarantee offered by the supplier: 2

Additional information:

Weblink to the supplier's website, where the information in point 6 of Annex II to Commission Regulation (EU) 2019/2022 (1) (b) is found:

(a) for the eco programme.

(b) changes to these items shall not be considered relevant for the purposes of paragraph 4 of Article 4 of Regulation (EU) 2017/1369.

(c) if the product database automatically generates the definitive content of this cell the supplier shall not enter these data.



LP8 400 EU

ENERGY LABEL

