



DW8 55 FI Built-in Dishwasher for 12 place settings and 5 washing programs



Eco Function

DESCRIPTION

Built-in Dishwasher for 12 place settings and 5 washing programs

LIFE STYLE

Total

COLOURS



REFERENCE

REF. 40782132
EAN. 8421152144572



TEKA

DW8 55 FI

FEATURES

Fully Integrated Dishwasher

Electronic Control Panel

Place settings: 12

Washing Programs: 5

Washing temperatures : 45°, 55°, 60° and 65° C

Half Load

Fast Program 30 minutes

Eco Program

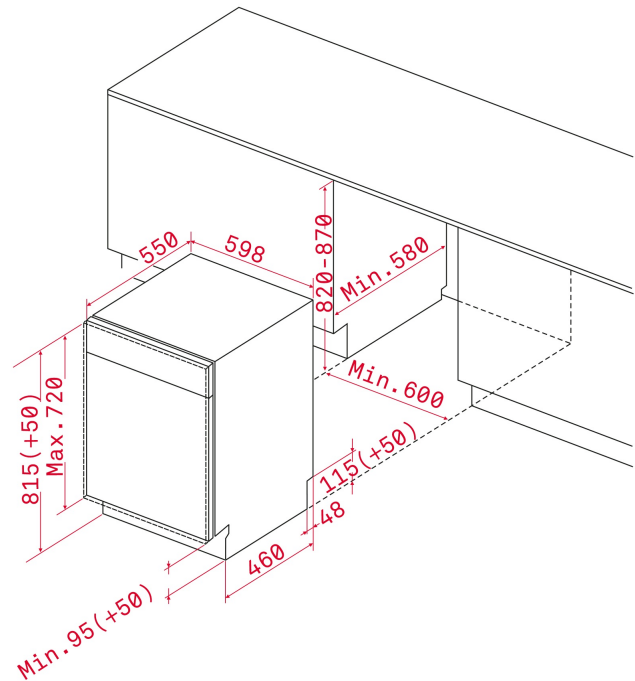
Full AquaStop safety system

3-6-9 hours Delay Timer

Adjustable upper basket

Adjustable Back Feet from Front

Noise Level: 49 dBA



DIMENSIONS

Product height (mm): 815-865
Product width (mm): 598
Product depth (mm): 550
Product length (mm):
Net weight (Kg): 32,5

TECH SPECS

FITTING MEASURES

Built-in niche height (cm): 82
Maximum door height (mm): 654
Plinth (mm): 50
Door width (mm): 589

PRODUCT SHEET

Capacity (Place Settings): 12
Energy consumption (kWh/year): 258
Power consumption (Kwh): 0,91
Water consumption (litres/year): 3080
Water consumption (litres): 11
Standard program: ECO
Standard cycle duration (minutes): 190
Noise level (dB): 49
Certificates: GS/CE/EMC/Rohs

POWER SUPPLY

Frequency (Hz): 50
Power rate (V): 220-240
Power rate (W): 1760-2100
Plug type: EU

**PARTICULAR
CHARACTERISTICS**

Maximum Nominal Power (W): 2100

Type of installation: Built-in

Control panel: Electronic buttons

Number of programs: 5

Number Of Washing Temperatures: 4

Water softener: Yes

Microfilter: Yes

SECURITY SYSTEM

Internal Leakage Control: Yes

Aquastop: Yes

CONTROL INDICATOR LIGHTS

Low Salt Aid indicator: Yes

Low Rinse Aid indicator: Yes

Selected program indicator: Yes

SPECIAL FUNCTIONS

Fast program: Yes

Fast program (minutes): 30

Economic program: Yes

Intense program: Yes

Half load: Yes

Delayed Timer (h): 3-6-9

EQUIPMENT

Adjustable back feet from front: Yes

**PRODUCT INFORMATION
SHEET (UE) 2019/2014**

Supplier name or trademark: TEKA

Supplier's address: C/Cajo, 17, 39011, Santander , Spain

Model identifier: DW8 55 FI

Height (cm): 81,5

Width (cm): 59,8

Depth (cm): 55

Additional information:

Weblink to the supplier's website, where the information in point 6 of Annex II to Commission Regulation (EU) 2019/2022 (1) (b) is found:

(a) for the eco programme.

(b) changes to these items shall not be considered relevant for the purposes of paragraph 4 of Article 4 of Regulation (EU) 2017/1369.

(c) if the product database automatically generates the definitive content of this cell the supplier shall not enter these data.

